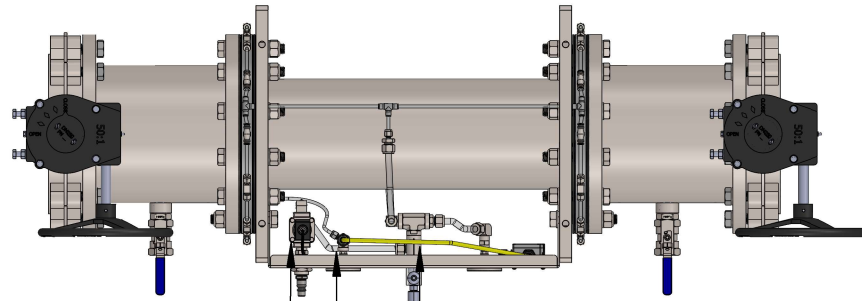


MATERIAL LIST

MAIN COMPONENTS	MATERIAL
PIPES	316SS
GAUGE	300 SERIES STAINLESS STEEL
GAS TUBING	PTFE
SOLENOID VALVE	316SS
BUTTERFLY FALVE	316SS, VITON
CIP VALVE	316SS, PTFE



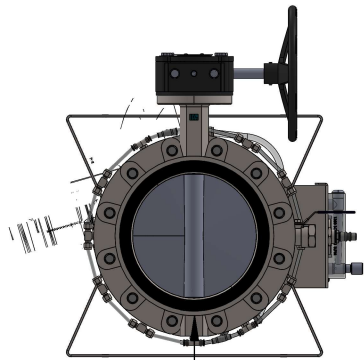
SOLENOID VALVE

GAS CHECK VALVE

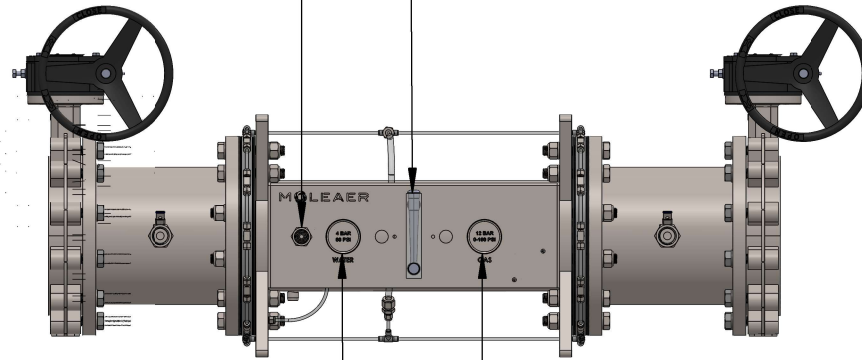
WATER PRESSURE SWITCH SET: 0.35 BAR (5 PSIG)

ROTAMETER RANGE
1380 SCFH & 651 SLPM

GAS INLET: CGA022 OR 1/2" NPT INDUSTRIAL FITTING



WATER INLET: DN250mm



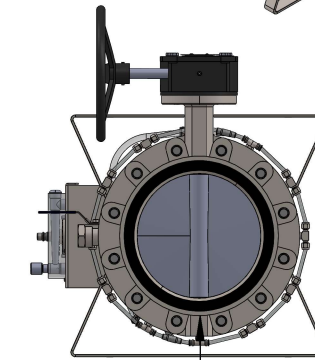
WATER PRESSURE GAUGE
0-4 BAR (0-60 PSI)

GAS PRESSURE GAUGE
0-12 BAR (0-160 PSI)

JUNCTION BOX
24VDC
BLK:+
WHT:-

CIP VALVE 1" BSPT FEMALE

CIP VALVE 1" BSPT FEMALE



WATER OUTLET: DN250mm

BUTTERFLY VALVE DN250mm
(OPTIONAL)

DN250 FLANGE PN10 EN 1092-1

BUTTERFLY VALVE DN250mm
(OPTIONAL)

DN250 FLANGE PN10 EN 1092-1

UNLESS OTHERWISE SPECIFIED: DIMENSIONS IN INCHES[mm] TOLERANCES ARE $\pm 0.250[\pm 6.35]$	DRAWN BY E.CRUIZ	DATE 10/31/23
	CHECKED BY M.CHA	DATE 12/01/23
	APPROVED BY P.MAHMOUDIAN	DATE 12/04/23

MOLEAER 3232 W. EL SEGUNDO BLVD
HAWTHORNE CA, 90250

DRAWING TITLE: TRINITY L6, 316SS, METRIC
GAD

DRAWING NO: 50F0-600(WITH BUTTERFLY VALVE)
50F1-600(WITHOUT BUTTERFLY VALVE)

PROPRIETARY AND CONFIDENTIAL

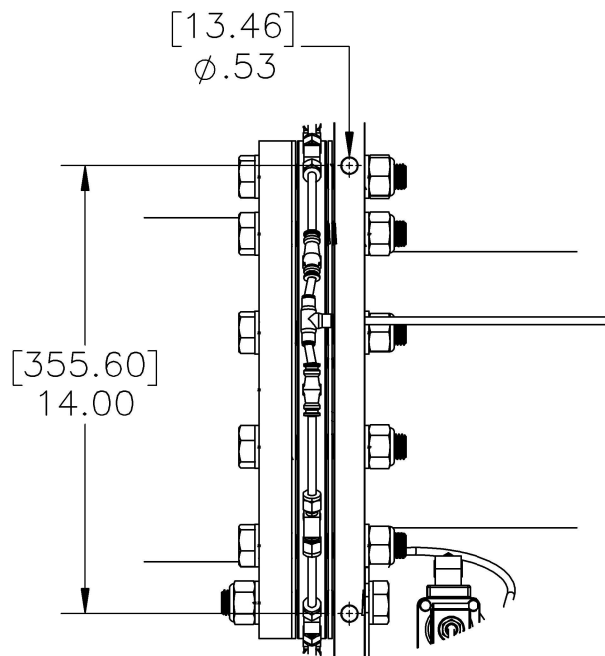
INFORMATION CONTAINED IN THIS DRAWING IS THE SOLE PROPERTY OF "MOLEAER INC". ANY REPRODUCTION IN PART OR WHOLE WITHOUT THE WRITTEN PERMISSION OF "MOLEAER INC" IS PROHIBITED.

SIZE: B SCALE: 1:16 SHEET: 1/2 REV: A

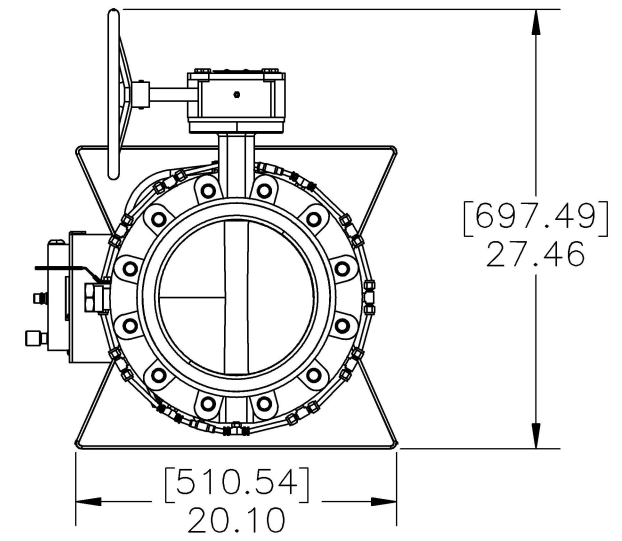
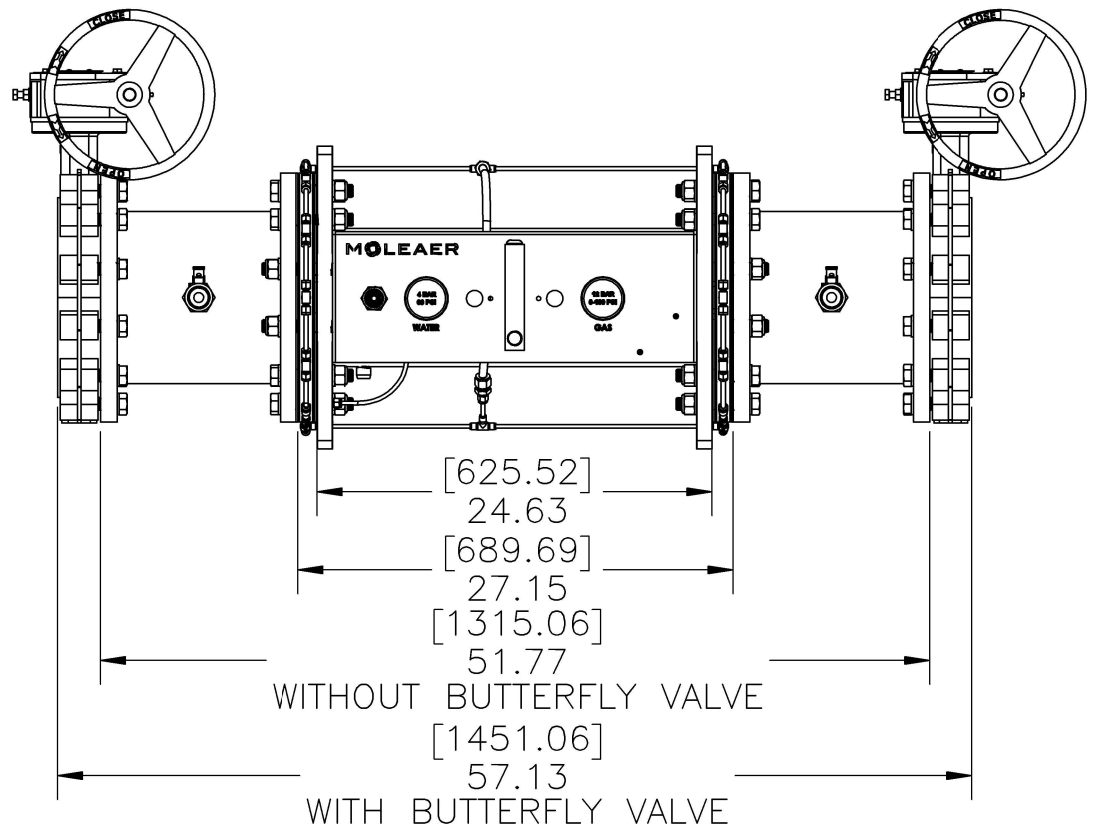
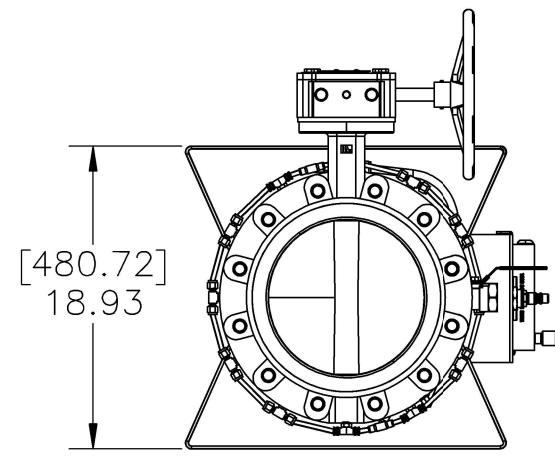
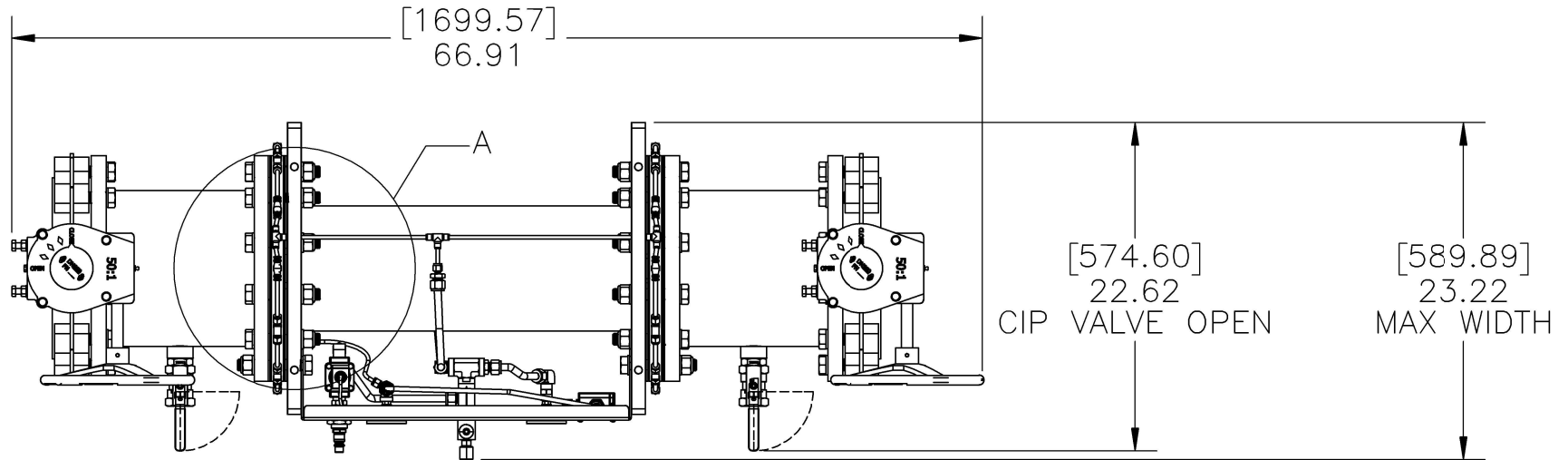
REV.	BY	DESCRIPTION	ECO	DATE	CHECKED	APPROVED
A	EC	INITIAL RELEASE	2044	10/31/23	MC	PM


REVISIONS

8 7 6 5 4 3 2 1



DETAIL A
SCALE 1 : 6



UNLESS OTHERWISE SPECIFIED: DIMENSIONS IN INCHES[mm] TOLERANCES ARE ±0.250[±6.35]	DRAWN BY E.CRUIZ	DATE 10/31/23	 3232 W. EL SEGUNDO BLVD HAWTHORNE CA, 90250 DRAWING TITLE: TRINITY L6, 316SS, METRIC GAD DRAWING NO: 50F0-600(WITH BUTTERFLY VALVE) 50F1-600(WITHOUT BUTTERFLY VALVE)
	CHECKED BY M.CHA	DATE 12/01/23	
	APPROVED BY P.MAHMOUDIAN	DATE 12/04/23	
PROPRIETARY AND CONFIDENTIAL INFORMATION CONTAINED IN THIS DRAWING IS THE SOLE PROPERTY OF "MOLEAER INC". ANY REPRODUCTION IN PART OR WHOLE WITHOUT THE WRITTEN PERMISSION OF "MOLEAER INC" IS PROHIBITED.			SIZE: B SCALE: 1:16 SHEET: 2/2 REV: A

REV.	BY	DESCRIPTION	ECO	DATE	CHECKED	APPROVED
A	EC	INITIAL RELEASE	2044	10/31/23	MC	PM
REVISIONS						

8 7 6 5 4 3 2 1