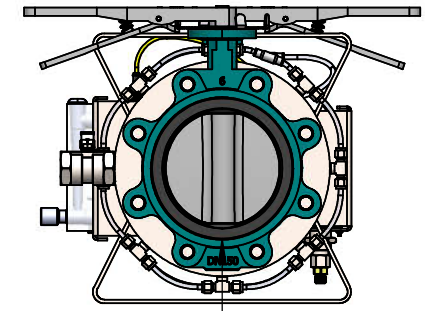
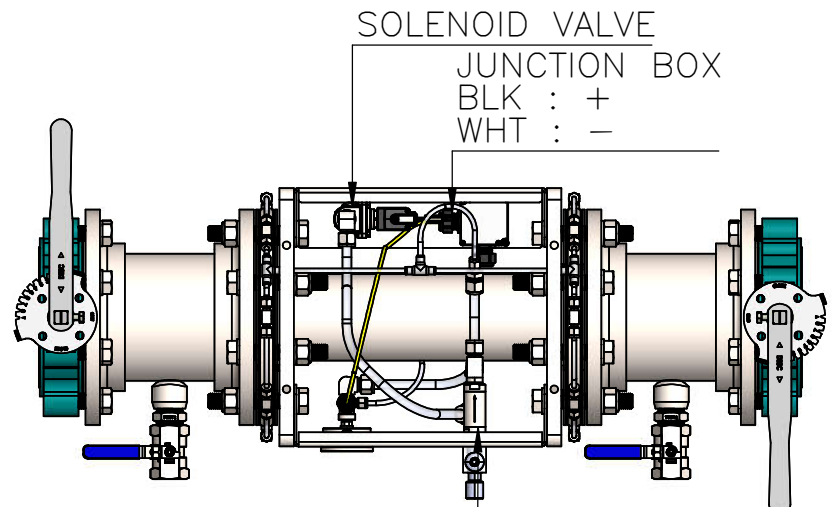
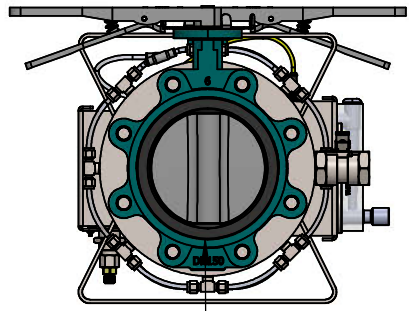
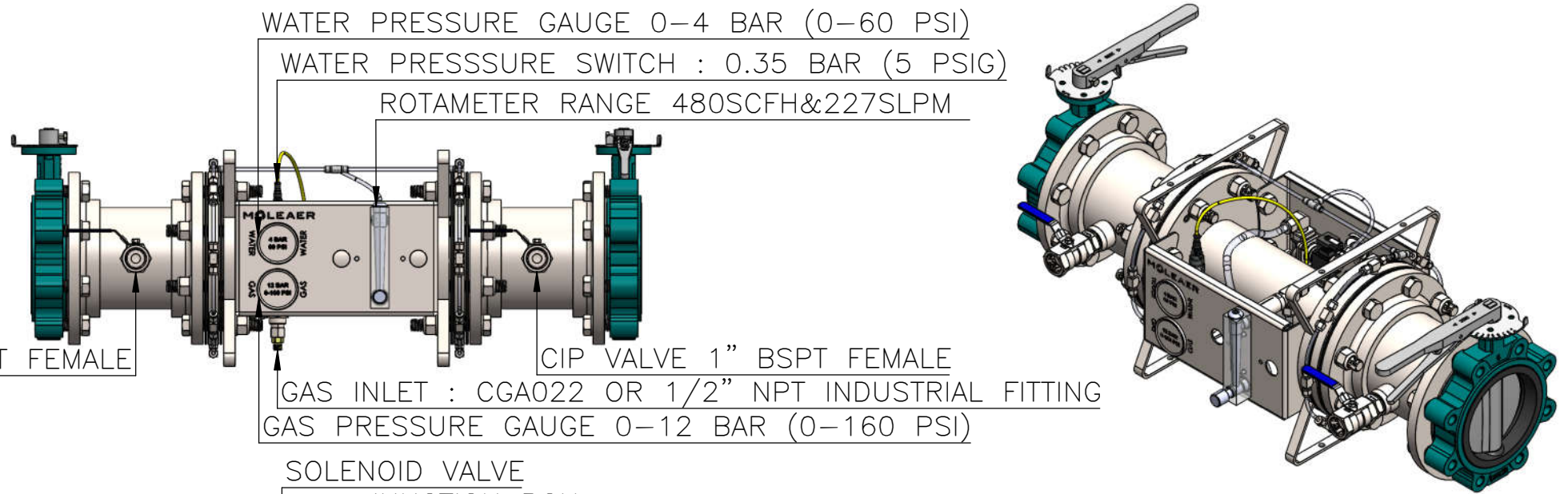
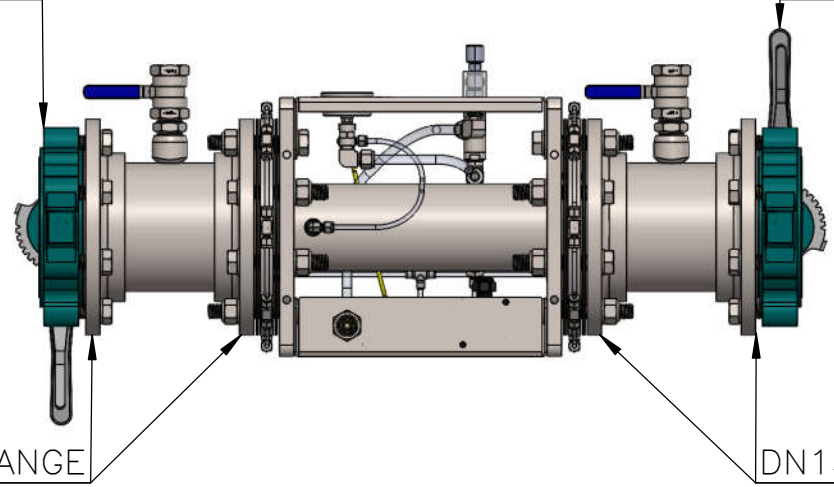


MATERIAL LIST	
MAIN COMPONENTS	MATERIAL
PIPES	316SS
GAUGE	300 SERIES STAINLESS STEEL
GAS TUBING	PTFE
SOLENOID VALVE	316SS
BUTTER FLY VALVE	316SS, VITON
CIP VALVE	316SS, PTFE



BUTTERFLY VALVE D150mm (OPTIONAL)

CHECK VALVE BUTTERFLY VALVE D150mm (OPTIONAL)

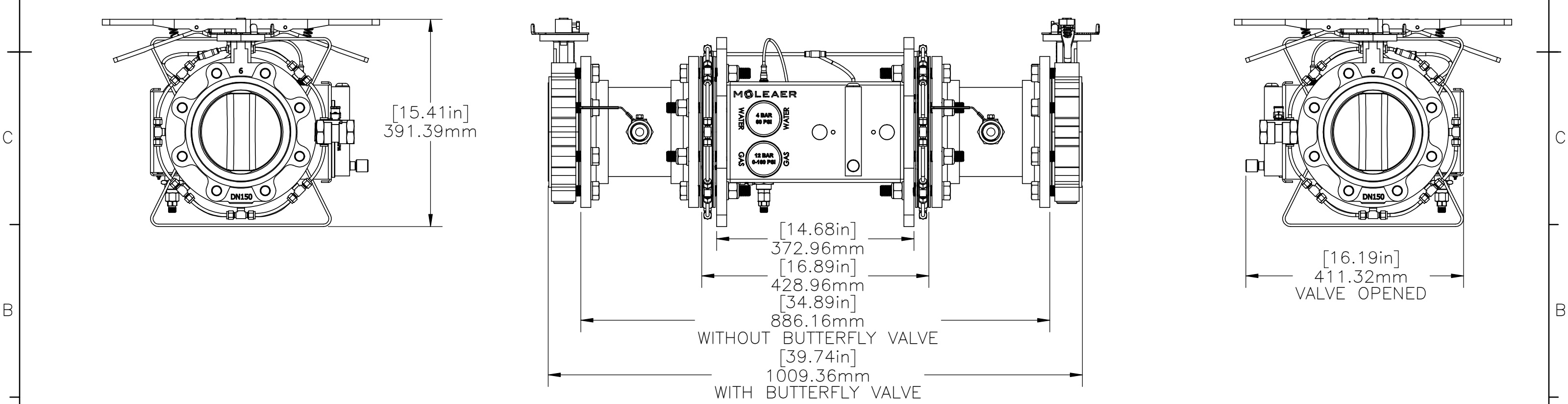
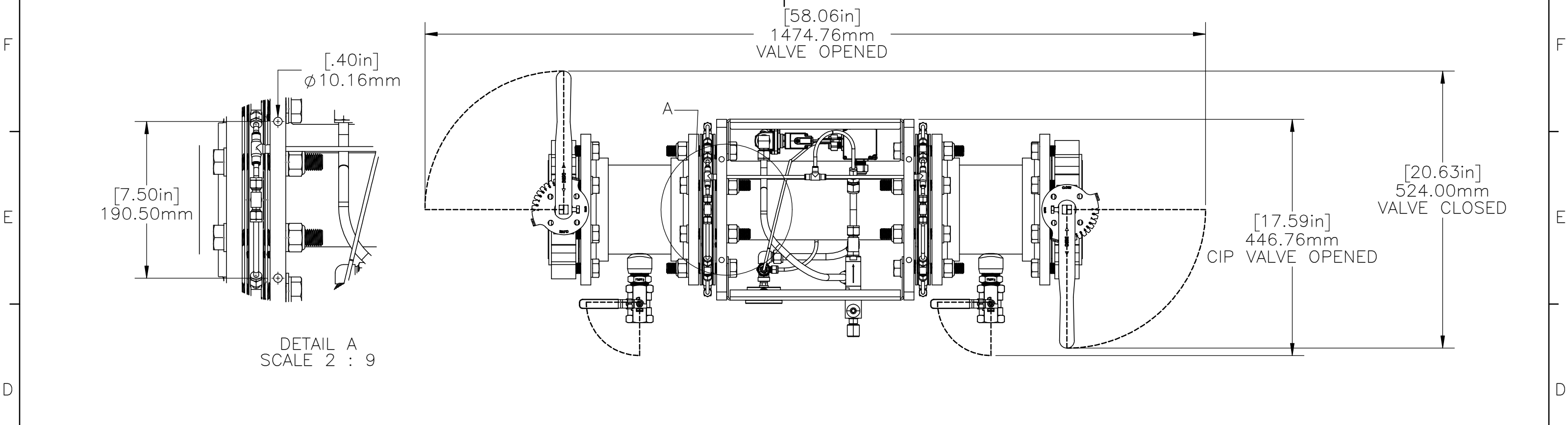


REV.	BY	DESCRIPTION	ECO	DATE	CHECKED	APPROVED
B	MC	REPLACE WITH METRIC FLANGE CENTER SOOL	2030	09/12/23	PM	PM
A	MC	INITIAL RELEASE	1359	04/04/23	PM	PM

UNLESS OTHERWISE SPECIFIED: DIMENSIONS IN mm[INCHES] TOLERANCES ARE ±6.35[±0.250]	DRAWN BY M.CHA	DATE 04/04/23
	CHECKED BY P.MAHMOUDIAN	DATE 04/24/23
	APPROVED BY P.MAHMOUDIAN	DATE 04/24/23
PROPRIETARY AND CONFIDENTIAL INFORMATION CONTAINED IN THIS DRAWING IS THE SOLE PROPERTY OF "MOLEAER INC". ANY REPRODUCTION IN PART OR WHOLE WITHOUT THE WRITTEN PERMISSION OF "MOLEAER INC" IS PROHIBITED.		

3232 W. EL SEGUNDO BLVD
 HAWTHORNE CA, 90250
 DRAWING TITLE: TRINITY L2, 316SS, METRIC, GAD
 DRAWING NO: 50F0-100(WITH BUTTERFLY VALVE)
 50F2-100(WITHOUT BUTTERFLY VALVE)
 SIZE: B SCALE: 1:10 SHEET: 1/2 REV: B

8 7 6 5 4 3 2 1



REV.	BY	DESCRIPTION	ECO	DATE	CHECKED	APPROVED
B	MC	REPLACE WITH METRIC CENTER SPOOL	2030	09/12/23	PM	PM
A	MC	INITIAL RELEASE	1359	04/04/23	PM	PM

REVISIONS

UNLESS OTHERWISE SPECIFIED: DIMENSIONS IN mm [INCHES] TOLERANCES ARE ±6.35 [±0.250]	DRAWN BY M.CHA	DATE 04/04/23
	CHECKED BY P.MAHMOUDIAN	DATE 04/24/23
	APPROVED BY P.MAHMOUDIAN	DATE 04/24/23
PROPRIETARY AND CONFIDENTIAL INFORMATION CONTAINED IN THIS DRAWING IS THE SOLE PROPERTY OF "MOLEAER INC". ANY REPRODUCTION IN PART OR WHOLE WITHOUT THE WRITTEN PERMISSION OF "MOLEAER INC" IS PROHIBITED.		

MOLEAER 3232 W. EL SEGUNDO BLVD
HAWTHORNE CA, 90250

DRAWING TITLE: **TRINITY L2, 316SS, METRIC, GAD**

DRAWING NO: **50F0-100(WITH BUTTERFLY VALVE)
50F2-100(WITHOUT BUTTERFLY VALVE)**

SIZE: **B** SCALE: 1:10 SHEET: 2/2 REV: **B**

8 7 6 5 4 3 2 1