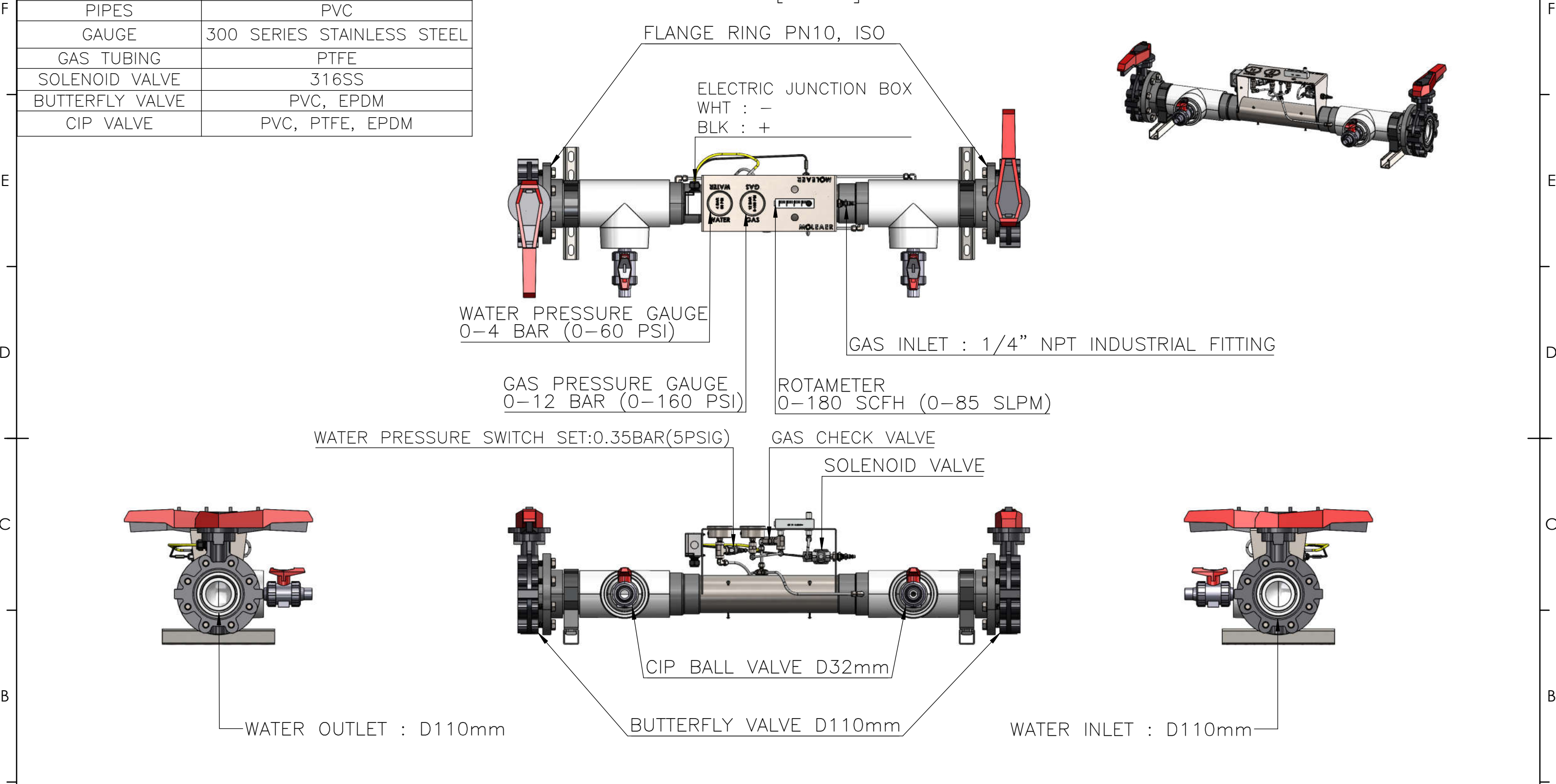


8 7 6 5 4 3 2 1

MATERIAL LIST	
MAIN COMPONENTS	MATERIAL
PIPES	PVC
GAUGE	300 SERIES STAINLESS STEEL
GAS TUBING	PTFE
SOLENOID VALVE	316SS
BUTTERFLY VALVE	PVC, EPDM
CIP VALVE	PVC, PTFE, EPDM

NOTE :  
ALL DIMENSIONS ARE IN mm[INCHES]



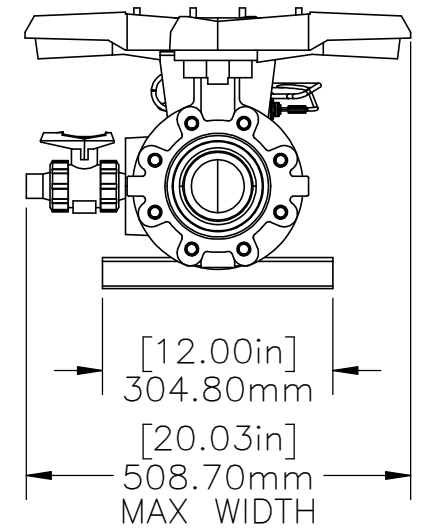
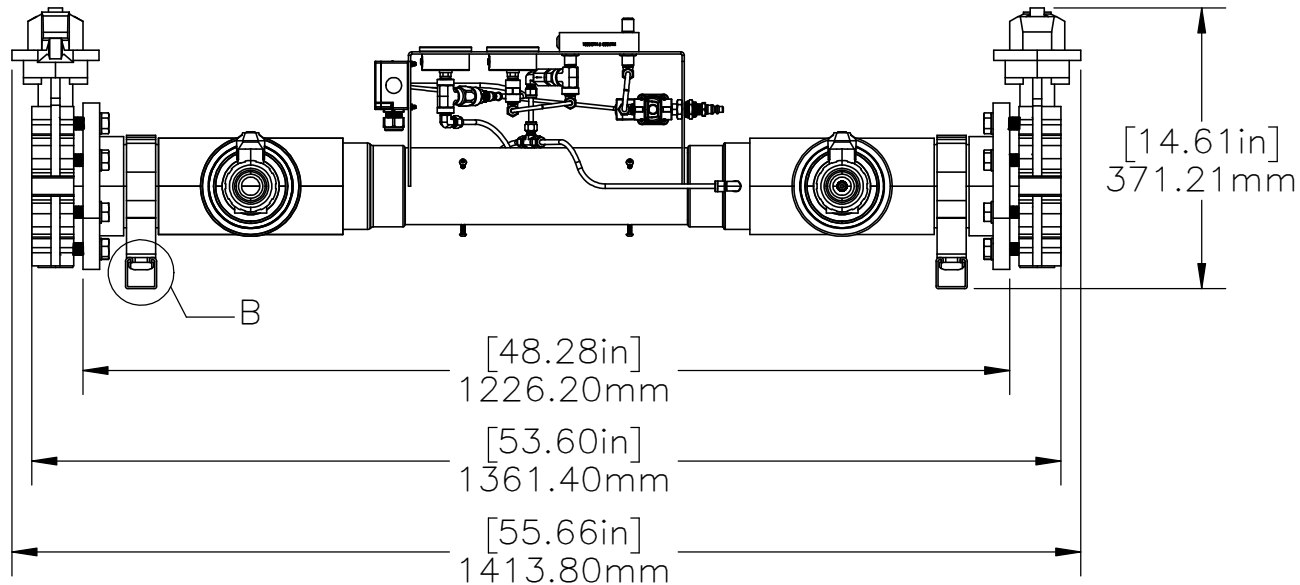
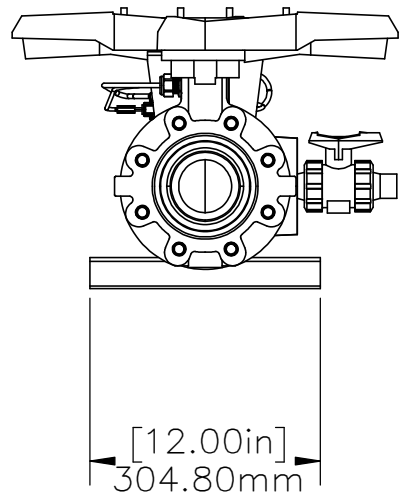
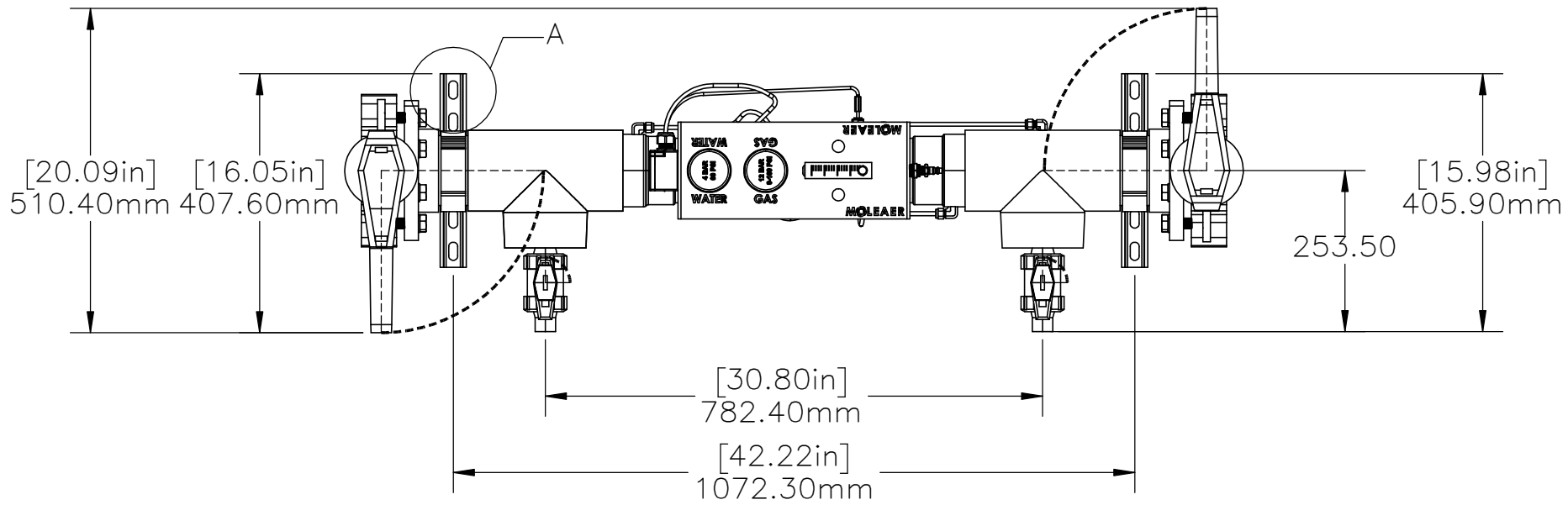
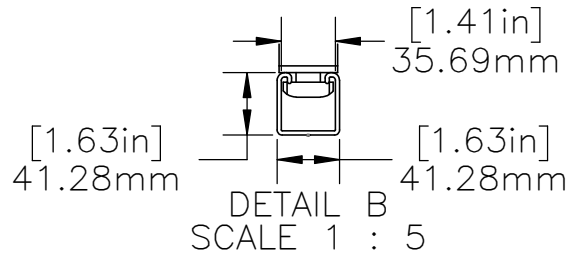
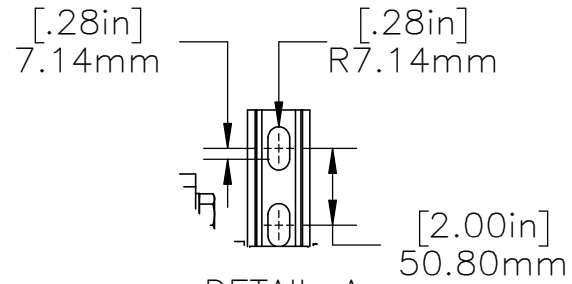
REV.	BY	DESCRIPTION	ECO	DATE	CHECKED	APPROVED
A	MC	INITIAL RELEASE	1343	02/02/23	CL	PM
REVISIONS						

UNLESS OTHERWISE SPECIFIED:  DIMENSIONS IN mm[INCHES] TOLERANCES ARE ±6.35[0.250]	DRAWN BY M.CHA	DATE 02/02/23
	CHECKED BY C.LAUGHLIN	DATE 02/23/23
	APPROVED BY P.MAHMOUDIAN	DATE 02/24/23
<b>PROPRIETARY AND CONFIDENTIAL</b> INFORMATION CONTAINED IN THIS DRAWING IS THE SOLE PROPERTY OF "MOLEAER INC". ANY REPRODUCTION IN PART OR WHOLE WITHOUT THE WRITTEN PERMISSION OF "MOLEAER INC" IS PROHIBITED.		

		3232 W. EL SEGUNDO BLVD HAWTHORNE CA, 90250	
DRAWING TITLE:			
<b>TRINITY 500GPM, METRIC, GAD</b>			
DRAWING NO:			
<b>50F0-400-500-METRIC-GAD</b>			
		SIZE: B	SCALE: 1:20
		SHEET: 1/2	REV: A

8 7 6 5 4 3 2 1

NOTE :  
ALL DIMENSIONS ARE IN mm[INCHES]



UNLESS OTHERWISE SPECIFIED:  DIMENSIONS IN mm[INCHES] TOLERANCES ARE ±6.35[0.250]	DRAWN BY M.CHA	DATE 02/02/23
	CHECKED BY C.LAUGHLIN	DATE 02/23/23
	APPROVED BY P.MAHMOUDIAN	DATE 02/24/23

3232 W. EL SEGUNDO BLVD HAWTHORNE CA, 90250	DRAWING TITLE: TRINITY 500GPM, METRIC, GAD
	DRAWING NO: 50FO-400-500-METRIC-GAD

PROPRIETARY AND CONFIDENTIAL  
INFORMATION CONTAINED IN THIS DRAWING IS THE SOLE PROPERTY OF "MOLEAER INC". ANY REPRODUCTION IN PART OR WHOLE WITHOUT THE WRITTEN PERMISSION OF "MOLEAER INC" IS PROHIBITED.

	SIZE: B	SCALE: 1:20	SHEET: 2/2	REV: A
--	---------	-------------	------------	--------

REV.	BY	DESCRIPTION	ECO	DATE	CHECKED	APPROVED
A	MC	INITIAL RELEASE	1343	02/02/23	CL	PM

REVISIONS