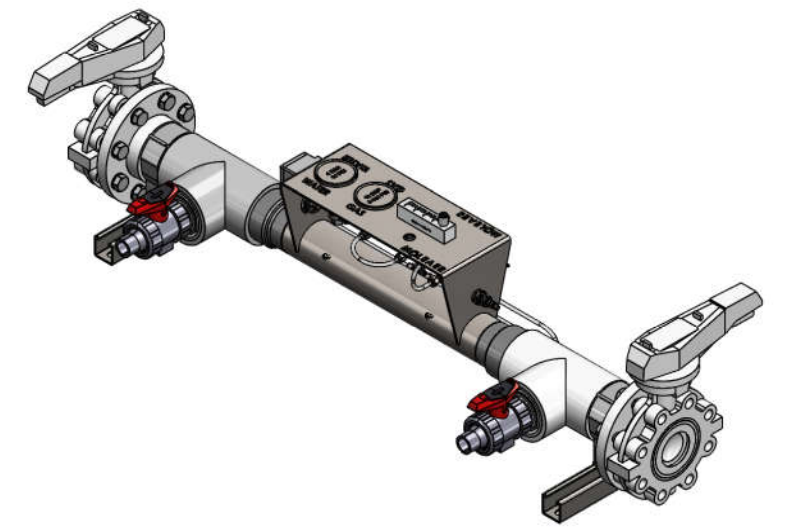
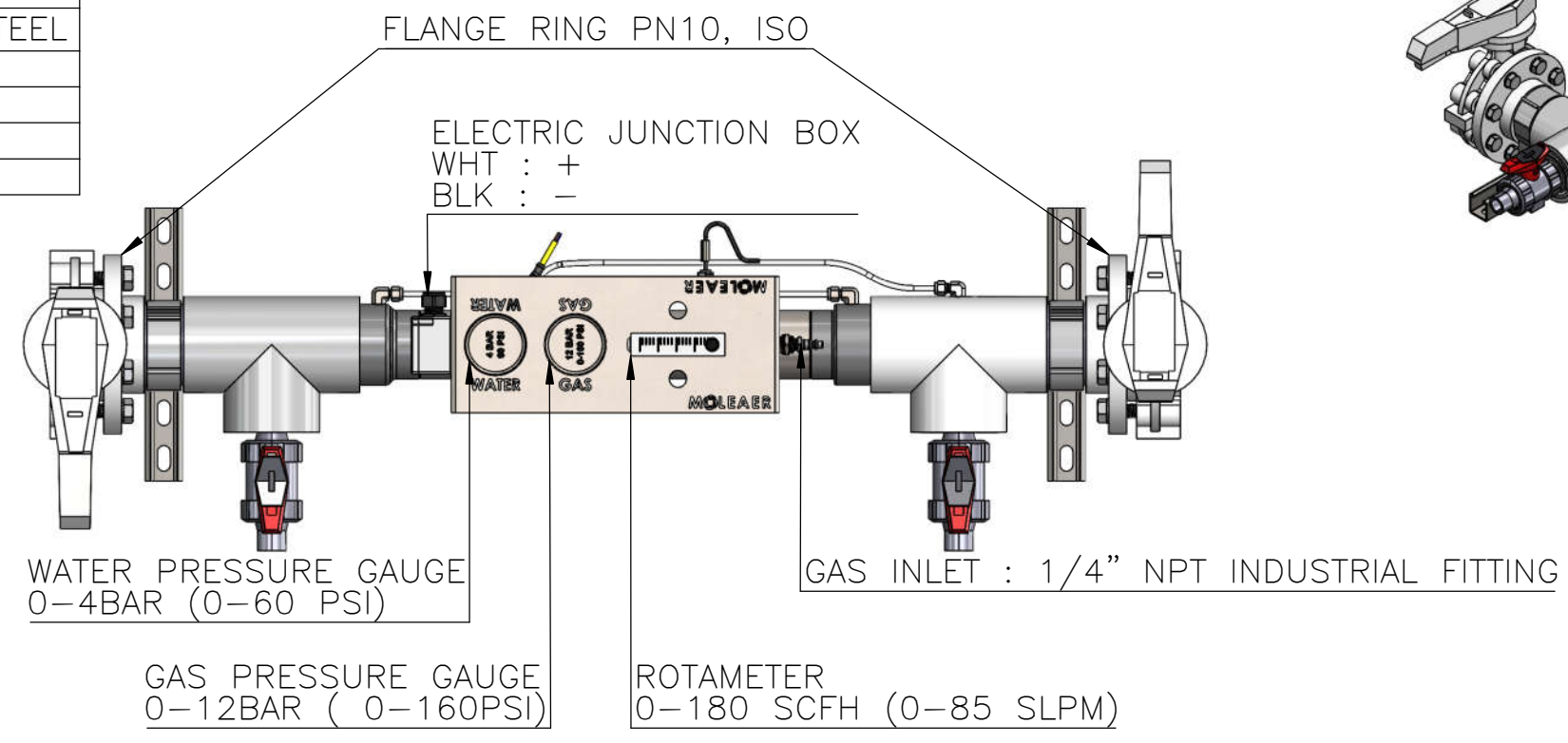
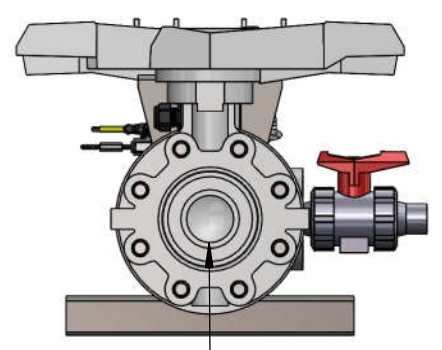


MATERIAL LIST	
MAIN COMPONENTS	MATERIAL
PIPES	PVC
GAUGE	300 SERIES STAINLESS STEEL
GAS TUBING	PTFE
SOLENOID VALVE	316SS
BUTTERFLY VALVE	PVC, FKM
CIP VALVE	PVC, PTFE, EPDM

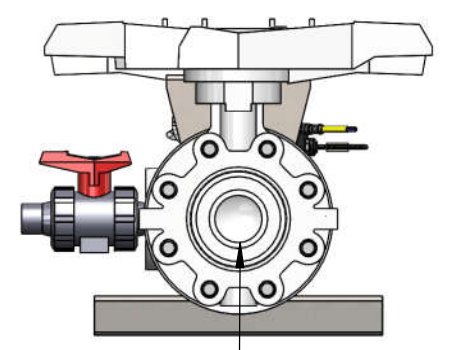
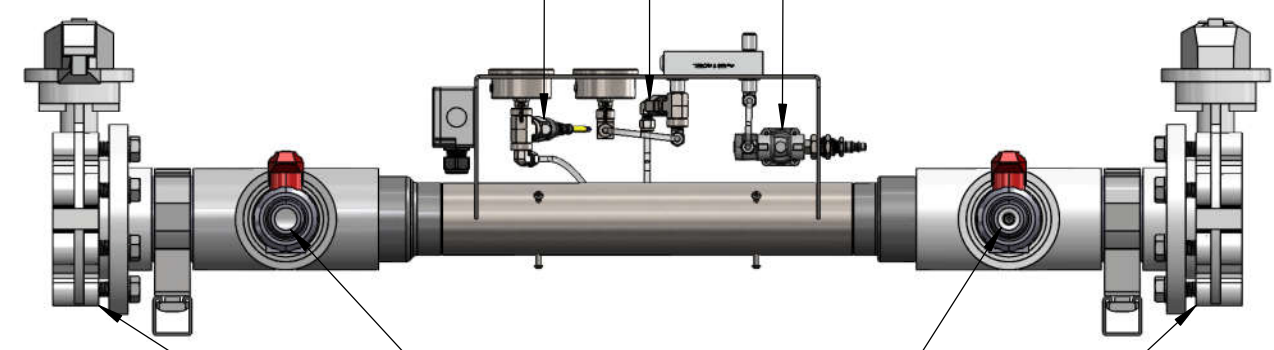
NOTE :  
ALL DIMENSIONS ARE IN mm[INCHES]



WATER PRESSURE SWITCH SET:0.35BAR(5PSIG)      GAS CHECK VALVE



WATER OUTLET : D90mm



WATER INLET : D90mm

REV.	BY	DESCRIPTION	ECO	DATE	CHECKED	APPROVED
A	MC	INITIAL RELEASE	1353	03/10/23	CL	PM
REVISIONS						

UNLESS OTHERWISE SPECIFIED: DIMENSIONS IN mm[INCHES] TOLERANCES ARE ±6.35[0.250]	DRAWN BY M.CHA	DATE 03/10/23
	CHECKED BY C.LAUGHLIN	DATE 03/10/23
	APPROVED BY P.MAHMOUDIAN	DATE 03/10/23
<b>PROPRIETARY AND CONFIDENTIAL</b> INFORMATION CONTAINED IN THIS DRAWING IS THE SOLE PROPERTY OF "MOLEAER INC". ANY REPRODUCTION IN PART OR WHOLE WITHOUT THE WRITTEN PERMISSION OF "MOLEAER INC" IS PROHIBITED.		

**MOLEAER** 3232 W. EL SEGUNDO BLVD  
HAWTHORNE CA, 90250

DRAWING TITLE: **TRINITY S5, 200GPM, METRIC, GAD**

DRAWING NO: **50F0-250-200-GAD**

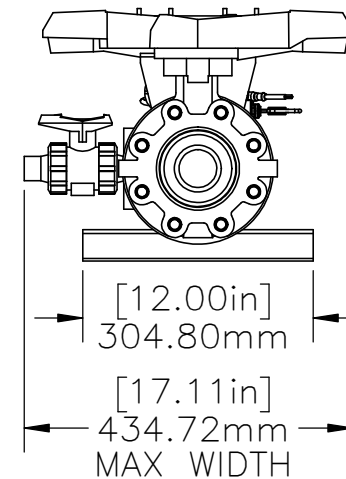
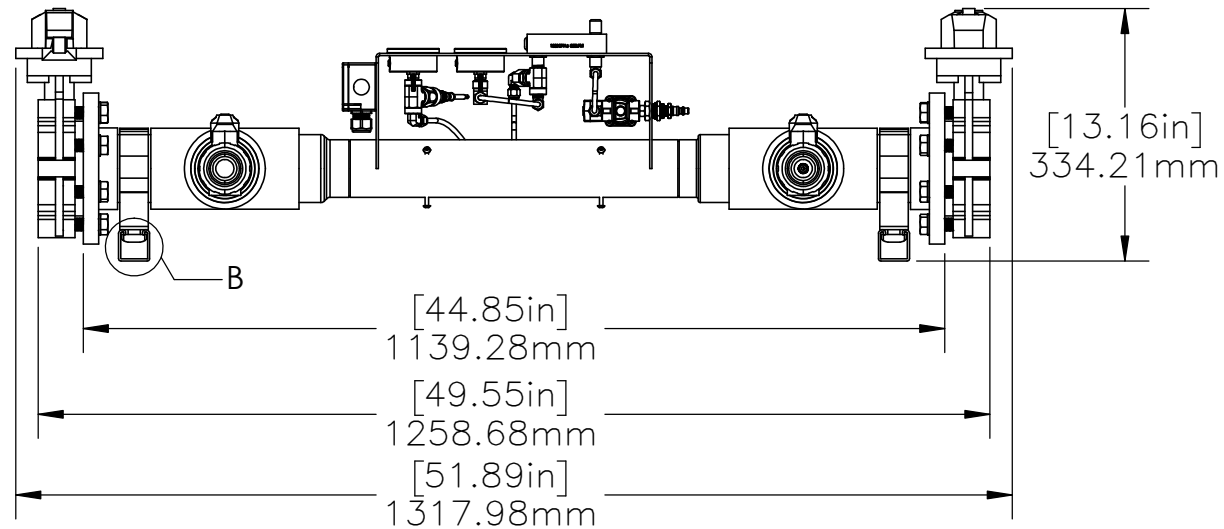
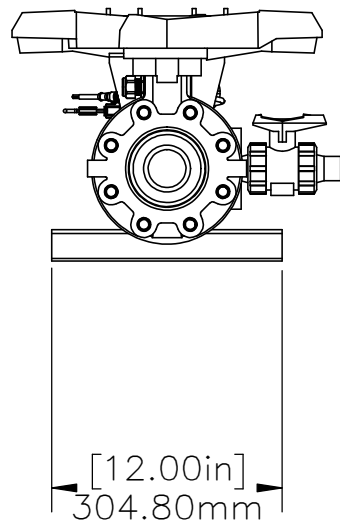
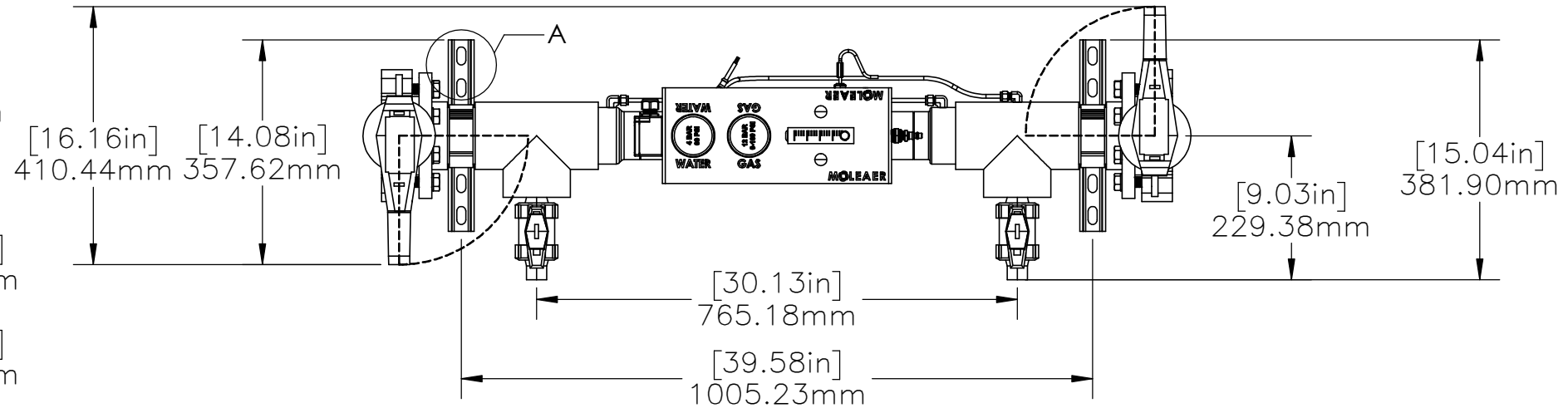
SIZE: B    SCALE: 1:10    SHEET: 1/2    REV: A

NOTE :  
ALL DIMENSIONS ARE IN mm[INCHES]

[.56in] 14.29mm  
[.28in] R7.14mm

[2.00in] 50.80mm  
DETAIL A  
SCALE 1 : 5

[1.41in] 35.69mm  
[1.63in] 41.28mm  
[1.63in] 41.28mm  
DETAIL B  
SCALE 1 : 5



UNLESS OTHERWISE SPECIFIED:  DIMENSIONS IN mm TOLERANCES ARE ±6.35	DRAWN BY M.CHA	DATE 03/10/23
	CHECKED BY C.LAUGHLIN	DATE 03/10/23
	APPROVED BY P.MAHMOUDIAN	DATE 03/10/23
<b>PROPRIETARY AND CONFIDENTIAL</b> INFORMATION CONTAINED IN THIS DRAWING IS THE SOLE PROPERTY OF "MOLEAER INC". ANY REPRODUCTION IN PART OR WHOLE WITHOUT THE WRITTEN PERMISSION OF "MOLEAER INC" IS PROHIBITED.		

	3232 W. EL SEGUNDO BLVD HAWTHORNE CA, 90250		
	DRAWING TITLE: TRINITY S5, 200GPM, METRIC, GAD		
DRAWING NO: 50F0-250-200-GAD			
		SIZE: B	SCALE: 1:10
		SHEET: 2/2	REV: A

REV.	BY	DESCRIPTION	ECO	DATE	CHECKED	APPROVED
A	MC	INITIAL RELEASE	1353	03/10/23	CL	PM
REVISIONS						