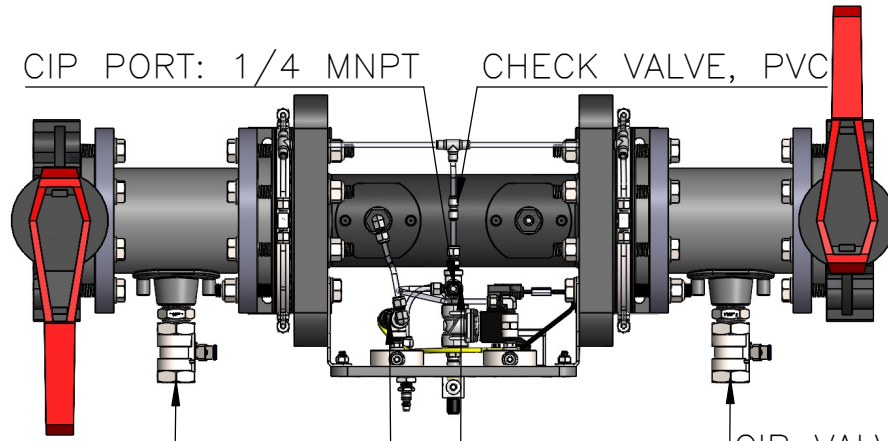
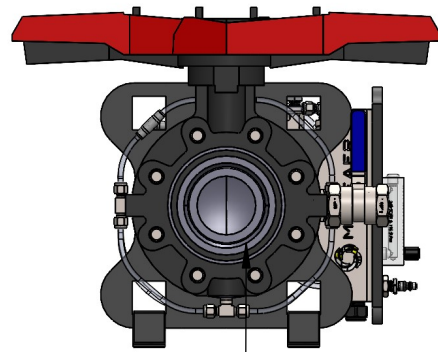
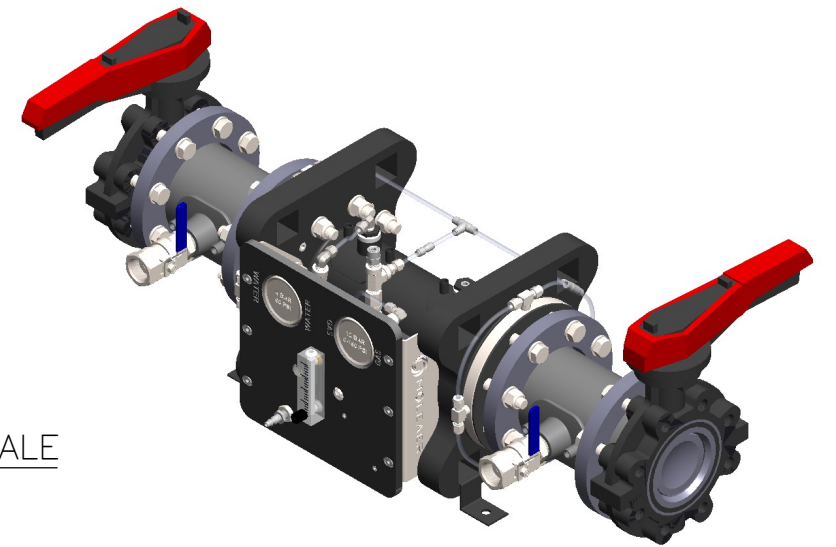


MATERIAL LIST

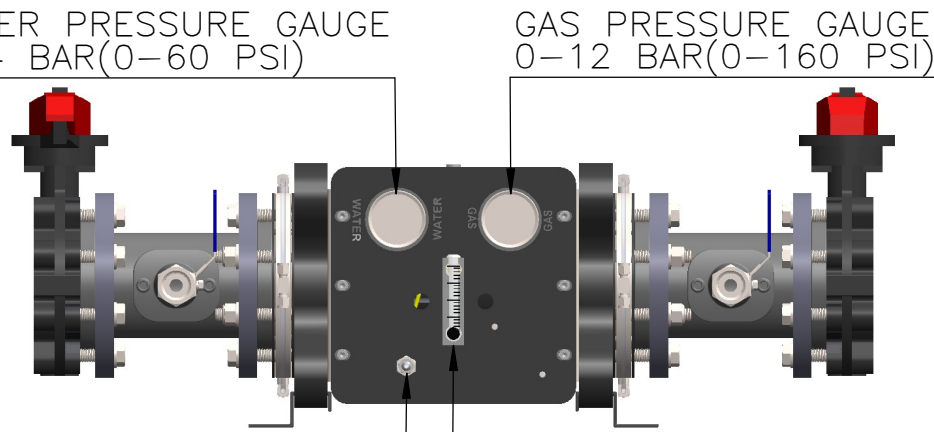
MAIN COMPONENT	MATERIAL
PIPE	HDPE
GAUGE	300 SERIES STAINLESS STEEL
GAS TUBING	PTFE
SOLENOID VALVE	316SS
CIP VALVE	316SS
BUTTERFLY VALVE	PVC, FKM



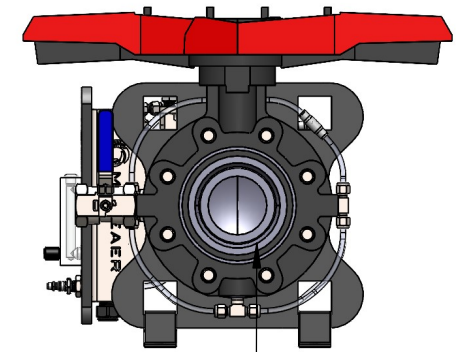
CIP PORT: 1/4 MNPT CHECK VALVE, PVC
 CIP VALVE 1" BSPT FEMALE CIP VALVE 1" BSPT FEMALE
 WATER PRESSURE SWITCH: 0.35 BAR(5 PSIG) CHECK VALVE, 316SS



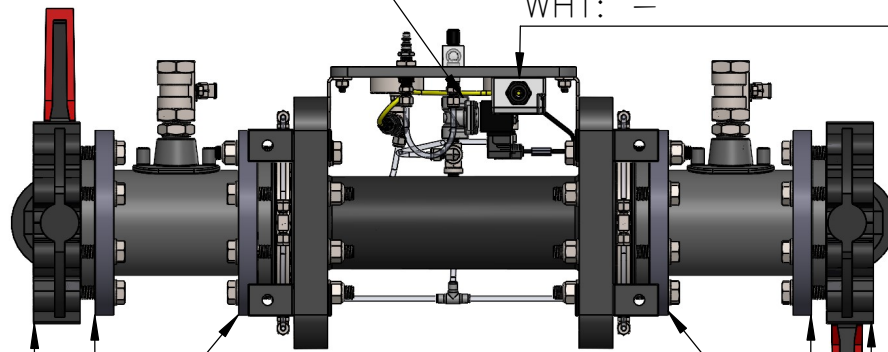
WATER INLET: D100mm



WATER PRESSURE GAUGE 0-4 BAR(0-60 PSI) GAS PRESSURE GAUGE 0-12 BAR(0-160 PSI)
 GAS INLET: 1/4" NPT INDUSTRIAL FITTING ROTAMETER RANGE 480SCFH & 227SLPM
 SOLENOID VALVE JUNCTION BOX: 24VDC
 BLK: +
 WHT: -



WATER OUTLET: D100mm



BUTTERFLY VALVE, PVC, D100mm (OPTIONAL) BUTTERFLY VALVE, PVC, D100mm (OPTIONAL)
 DN100 PN10 FLANGE DN100 PN10 FLANGE

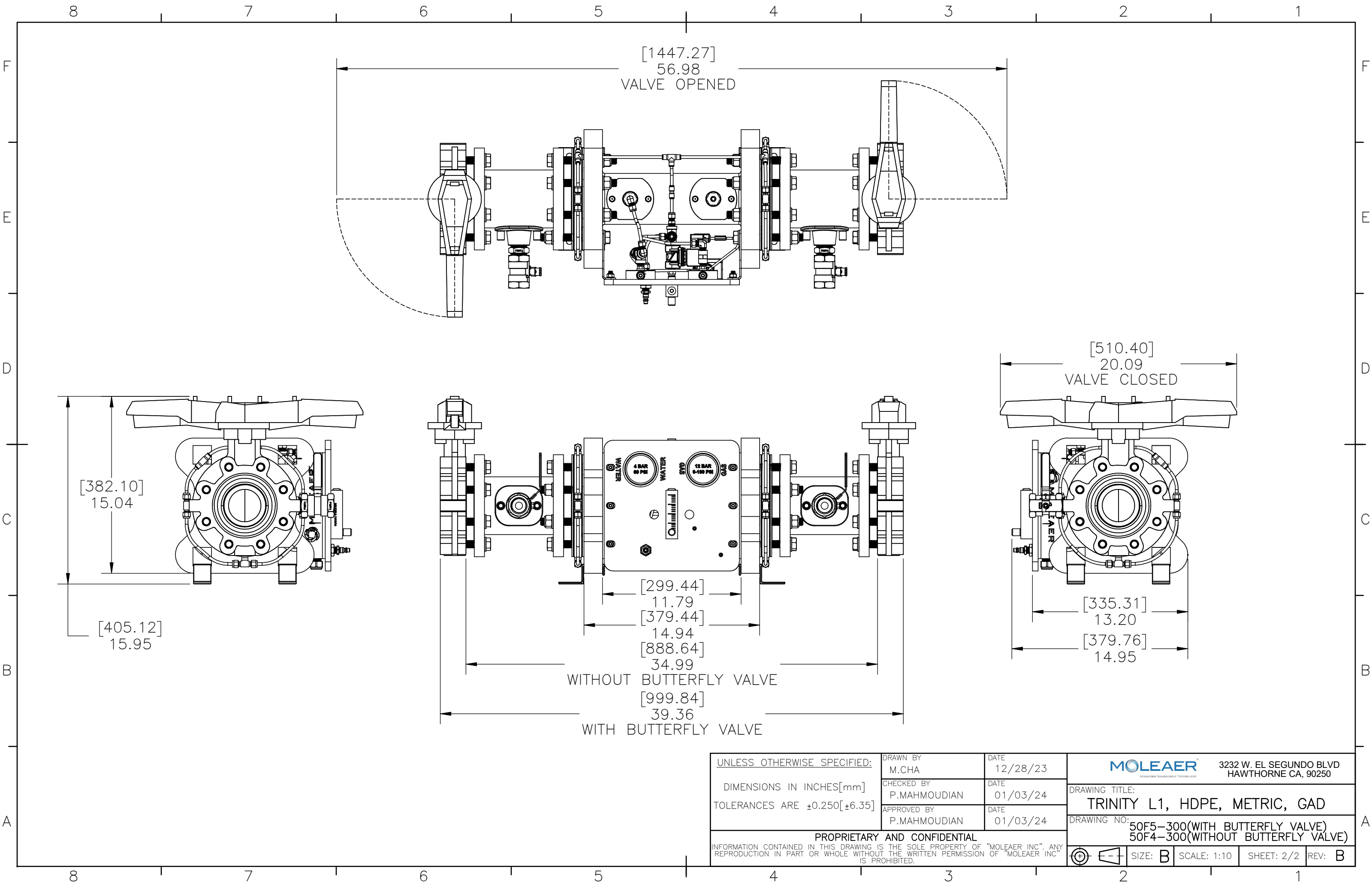
REV.	BY	DESCRIPTION	ECO	DATE	CHECKED	APPROVED
B	EC	ADDED CHECK VALVES & CIP PORT	2069	02/20/24	MC	PM
A	MC	INITIAL RELEASE	2055	12/28/23	PM	PM

REVISIONS

UNLESS OTHERWISE SPECIFIED: DIMENSIONS IN INCHES[mm] TOLERANCES ARE ±0.250[±6.35]	DRAWN BY M.CHA	DATE 12/28/23
	CHECKED BY P.MAHMOUDIAN	DATE 01/03/24
	APPROVED BY P.MAHMOUDIAN	DATE 01/03/24

PROPRIETARY AND CONFIDENTIAL
 INFORMATION CONTAINED IN THIS DRAWING IS THE SOLE PROPERTY OF "MOLEAER INC". ANY REPRODUCTION IN PART OR WHOLE WITHOUT THE WRITTEN PERMISSION OF "MOLEAER INC" IS PROHIBITED.


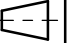
3232 W. EL SEGUNDO BLVD HAWTHORNE CA, 90250	
DRAWING TITLE: TRINITY L1, HDPE, METRIC, GAD	
DRAWING NO: 50F5-300(WITH BUTTERFLY VALVE) 50F4-300(WITHOUT BUTTERFLY VALVE)	
SIZE: B	SCALE: 1:10
SHEET: 1/2	REV: B



UNLESS OTHERWISE SPECIFIED: DIMENSIONS IN INCHES[mm] TOLERANCES ARE $\pm 0.250[\pm 6.35]$	DRAWN BY M.CHA	DATE 12/28/23
	CHECKED BY P.MAHMOUDIAN	DATE 01/03/24
	APPROVED BY P.MAHMOUDIAN	DATE 01/03/24

 3232 W. EL SEGUNDO BLVD HAWTHORNE CA, 90250	
	DRAWING TITLE: TRINITY L1, HDPE, METRIC, GAD
	DRAWING NO: 50F5-300(WITH BUTTERFLY VALVE) 50F4-300(WITHOUT BUTTERFLY VALVE)

PROPRIETARY AND CONFIDENTIAL
 INFORMATION CONTAINED IN THIS DRAWING IS THE SOLE PROPERTY OF "MOLEAER INC". ANY REPRODUCTION IN PART OR WHOLE WITHOUT THE WRITTEN PERMISSION OF "MOLEAER INC" IS PROHIBITED.

		SIZE: B	SCALE: 1:10	SHEET: 2/2	REV: B
---	---	---------	-------------	------------	--------