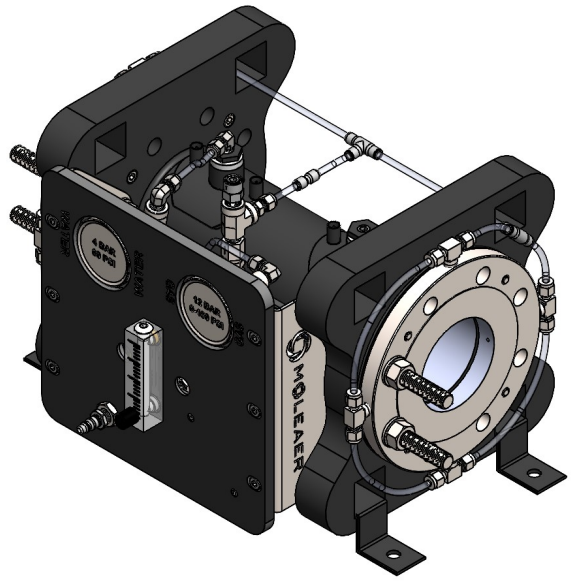
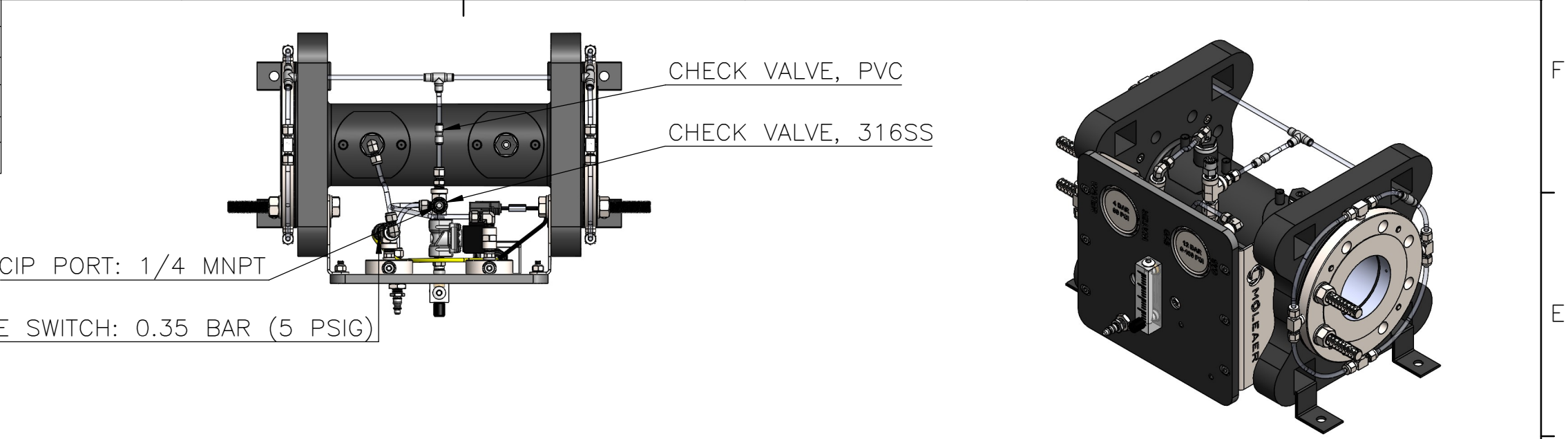


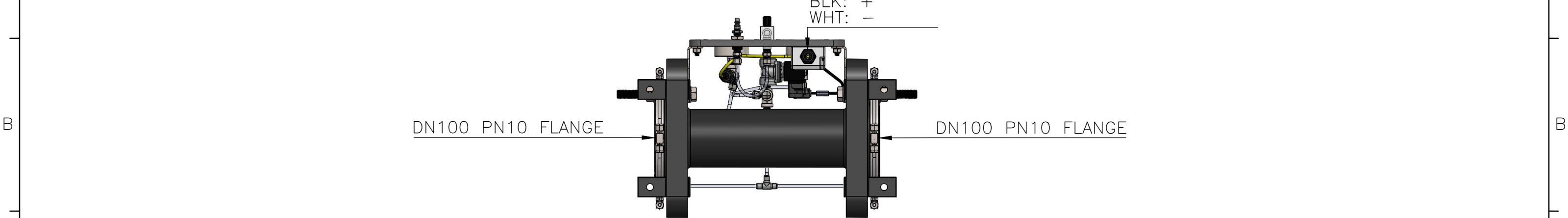
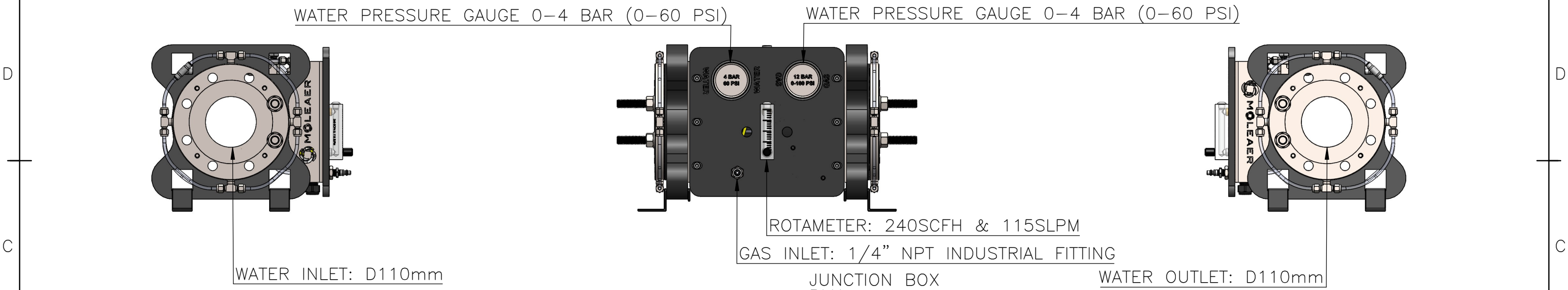
8 7 6 5 4 3 2 1

MATERIAL LIST	
MAIN COMPONENTS	MATERIAL
PIPES	HDPE
GAUGE	300 SERIES STAINLESS STEEL
GAS TUBING	PTFE
SOLENOID VALVE	316SS



E

WATER PRESSURE SWITCH: 0.35 BAR (5 PSIG)



REV.	BY	DESCRIPTION	ECO	DATE	CHECKED	APPROVED
B	EC	ADDED CHECK VALVES & CIP PORT	2026	02/20/24	MC	PM
A	MC	INITIAL RELEASE	2055	12/27/23	PM	PM

REVISIONS

UNLESS OTHERWISE SPECIFIED:  
ALL DIMENSIONS ARE REFERENCE ONLY AND DIMENSIONS IN INCHES

DRAWN BY M.CHA	DATE 12/27/23
CHECKED BY P.MAHMOUDIAN	DATE 01/03/24
APPROVED BY P.MAHMOUDIAN	DATE 01/03/24

**PROPRIETARY AND CONFIDENTIAL**  
INFORMATION CONTAINED IN THIS DRAWING IS THE SOLE PROPERTY OF MOLEAER INC. ANY REPRODUCTION IN PART OR WHOLE WITHOUT THE WRITTEN PERMISSION OF MOLEAER INC IS PROHIBITED.

**MOLEAER** 3232 W. EL SEGUNDO BLVD  
HAWTHORNE CA, 90250

DRAWING TITLE:  
**NBG 3, HDPE, METRIC, GAD**

DRAWING NO:  
**50F3-300**

SIZE: B SCALE: 1:5 SHEET: 1/2 REV: B

8 7 6 5 4 3 2 1

8 7 6 5 4 3 2 1

F F

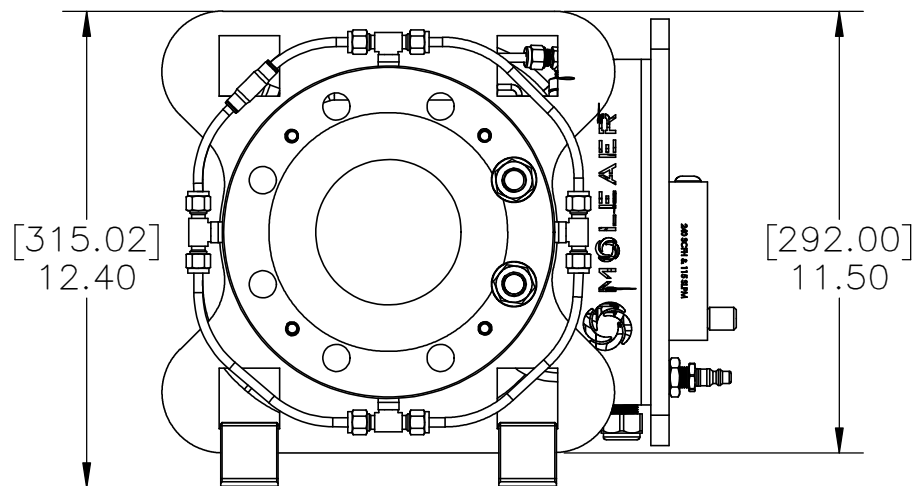
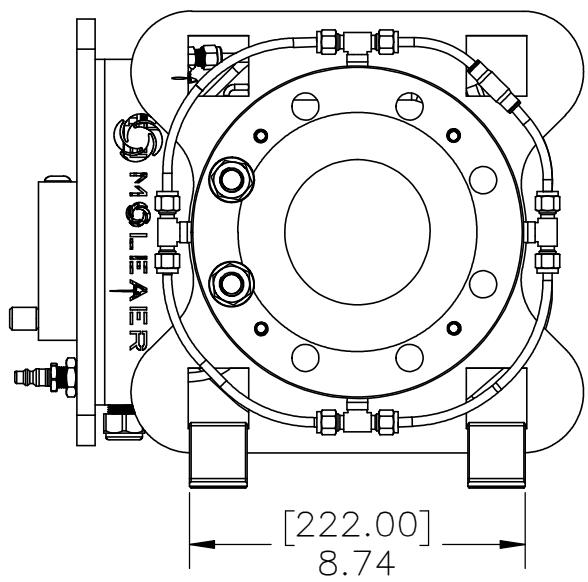
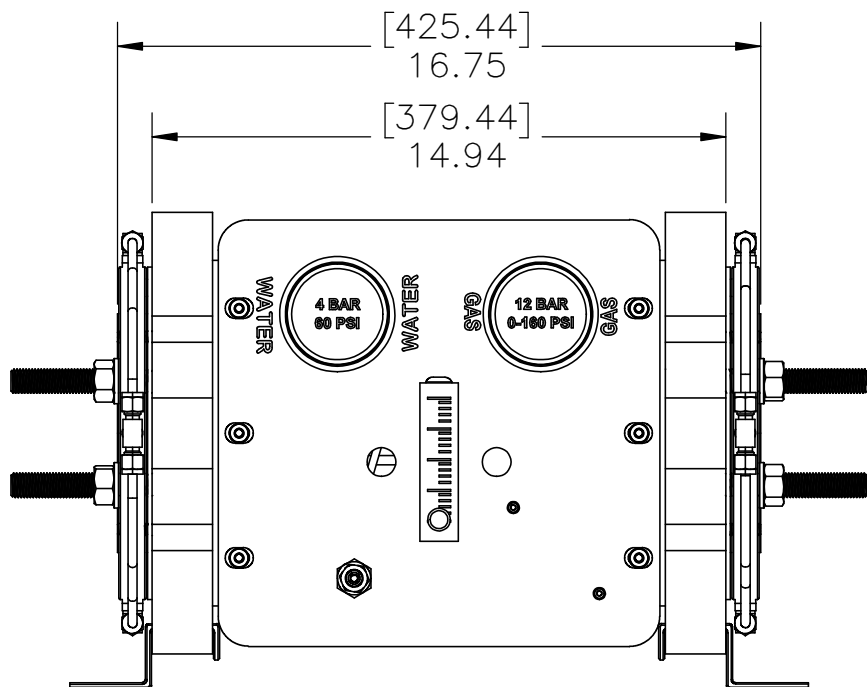
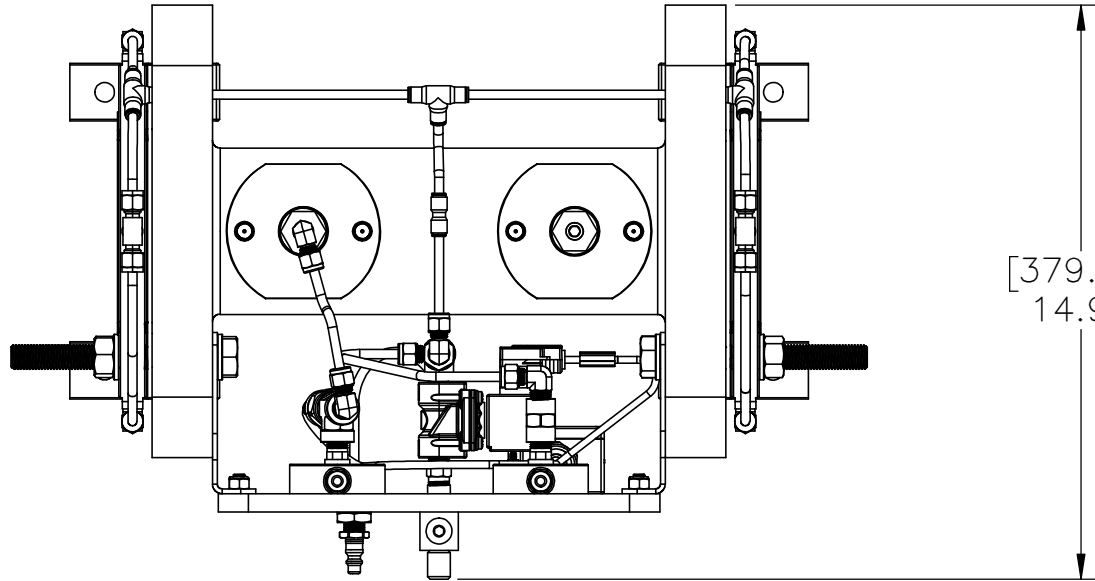
E E

D D

C C

B B

A A



NOTE:  
1. ALL DIMENSIONS ARE IN INCHES[mm]

UNLESS OTHERWISE SPECIFIED:  
ALL DIMENSIONS ARE REFERENCE ONLY AND DIMENSIONS IN INCHES

DRAWN BY M.CHA	DATE 12/27/23
CHECKED BY P.MAHMOUDIAN	DATE 01/03/24
APPROVED BY P.MAHMOUDIAN	DATE 01/03/24

PROPRIETARY AND CONFIDENTIAL  
INFORMATION CONTAINED IN THIS DRAWING IS THE SOLE PROPERTY OF MOLEAER INC. ANY REPRODUCTION IN PART OR WHOLE WITHOUT THE WRITTEN PERMISSION OF MOLEAER INC IS PROHIBITED.

3232 W. EL SEGUNDO BLVD HAWTHORNE CA, 90250	
DRAWING TITLE: NBG 3, HDPE, METRIC, GAD	
DRAWING NO: 50F3-300	
	SIZE: B SCALE: 1:5 SHEET: 2/2 REV: B

8 7 6 5 4 3 2 1