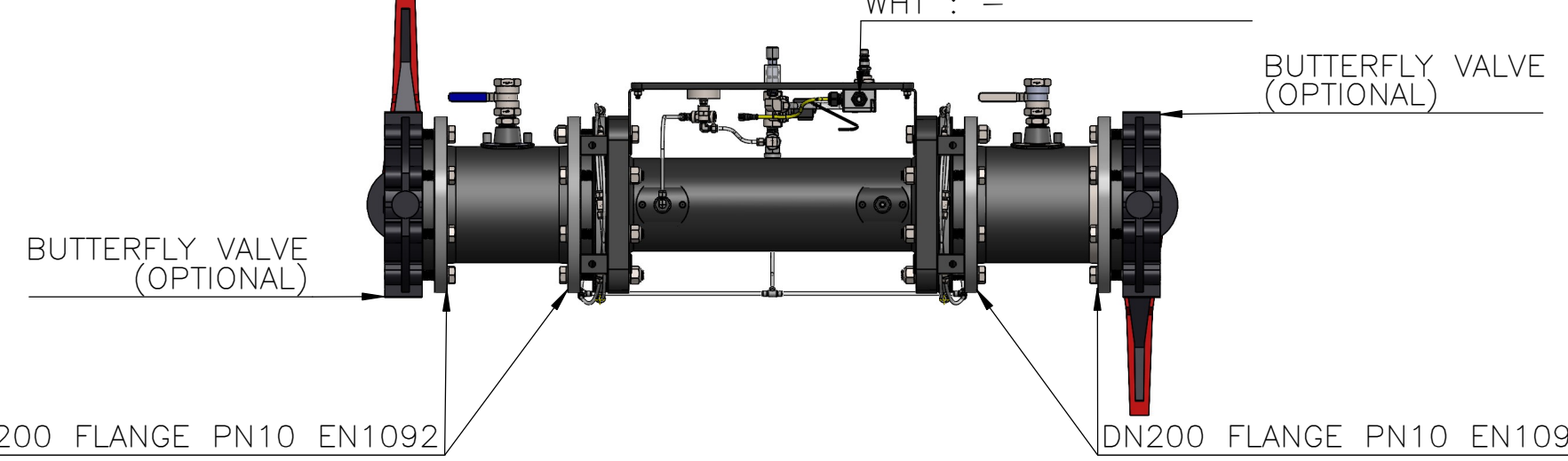
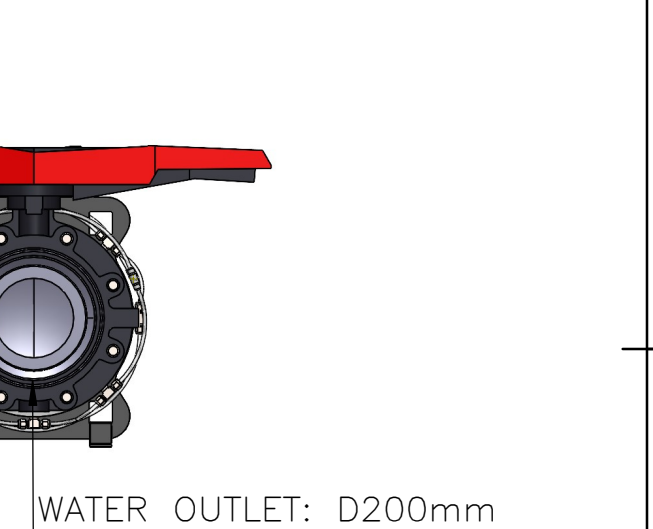
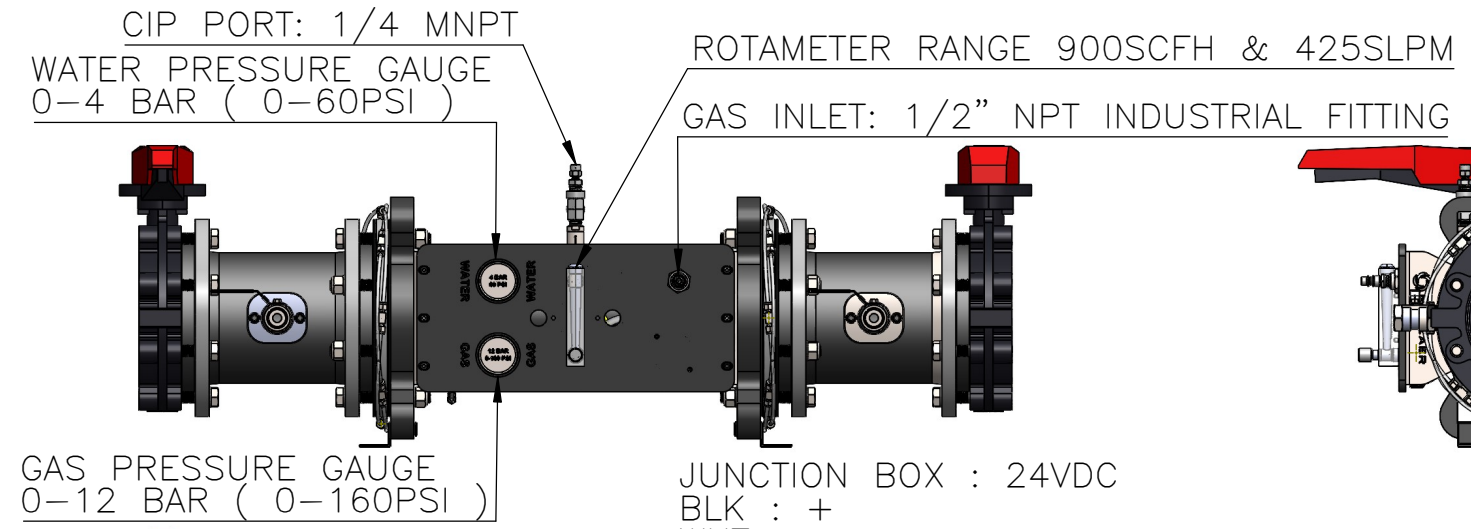
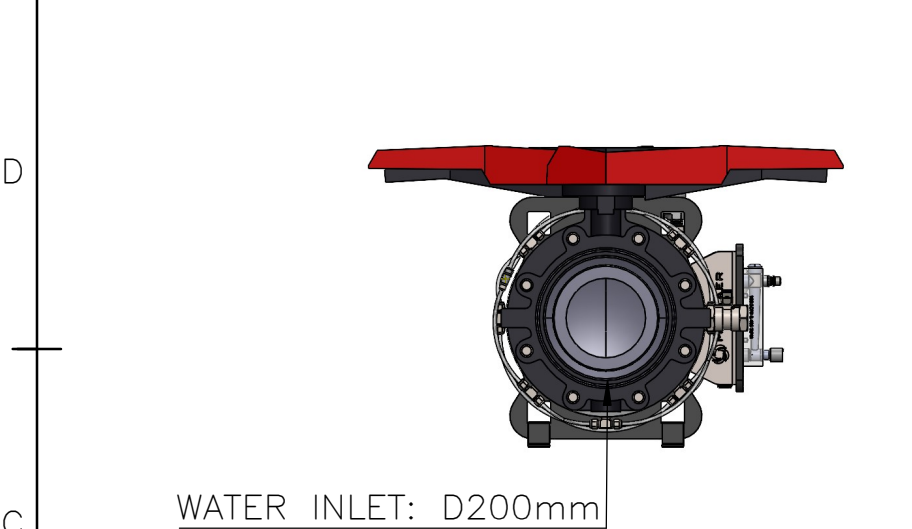
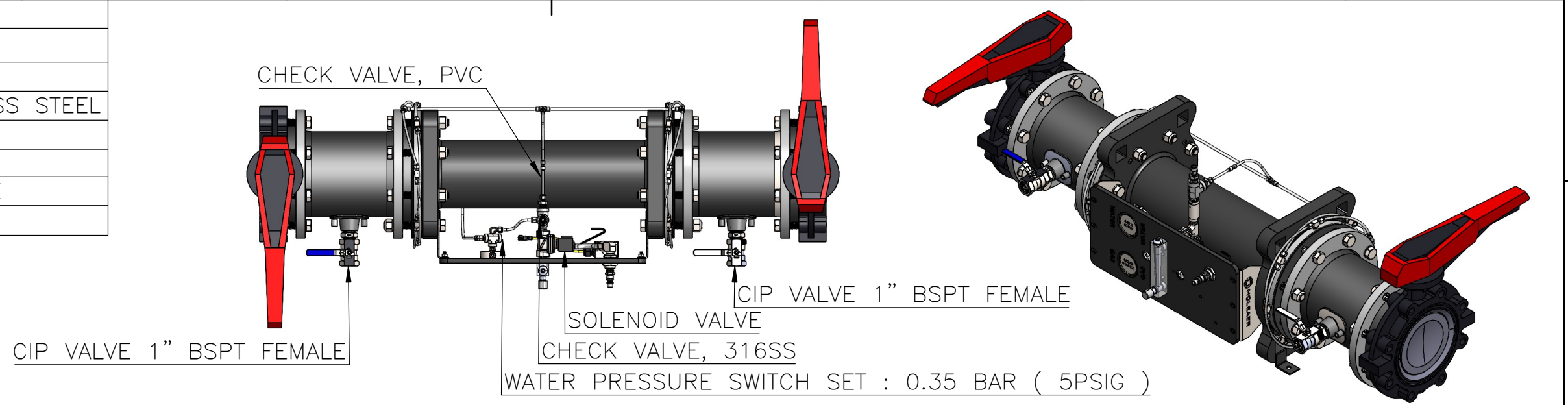


MATERIAL LIST	
MAIN COMPONENTS	MATERIAL
PIPES	HDPE
GAUGE	300 SERIES STAINLESS STEEL
GAS TUBING	PTFE
SOLENOID VALVE	316SS
CIP VALVE	316SS, PTFE
BUTTERFLY VALVE	PVC, FKM



REV.	BY	DESCRIPTION	ECO	DATE	CHECKED	APPROVED
C	EC	ADDED CHECK VALVES & CIP PORT	2069	02/28/24	MC	PM
B	MC	ADDED PVC BUTTERFLY VALVE	2040	10/26/23	PM	PM
A	MC	INITIAL RELEASE	1377	07/10/23	CL	PM

UNLESS OTHERWISE SPECIFIED:	DRAWN BY M.CHA	DATE 07/10/23
DIMENSIONS IN INCHES[mm]	CHECKED BY C.LAUGHLIN	DATE 07/12/23
TOLERANCES ARE ±0.250[±6.35]	APPROVED BY P.MAHMOUDIAN	DATE 07/13/23
PROPRIETARY AND CONFIDENTIAL INFORMATION CONTAINED IN THIS DRAWING IS THE SOLE PROPERTY OF "MOLEAER INC". ANY REPRODUCTION IN PART OR WHOLE WITHOUT THE WRITTEN PERMISSION OF "MOLEAER INC" IS PROHIBITED.		

MOLEAER 3232 W. EL SEGUNDO BLVD
HAWTHORNE CA, 90250

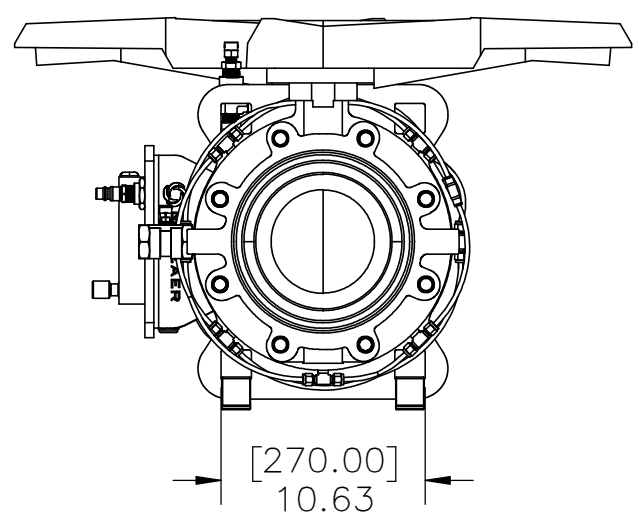
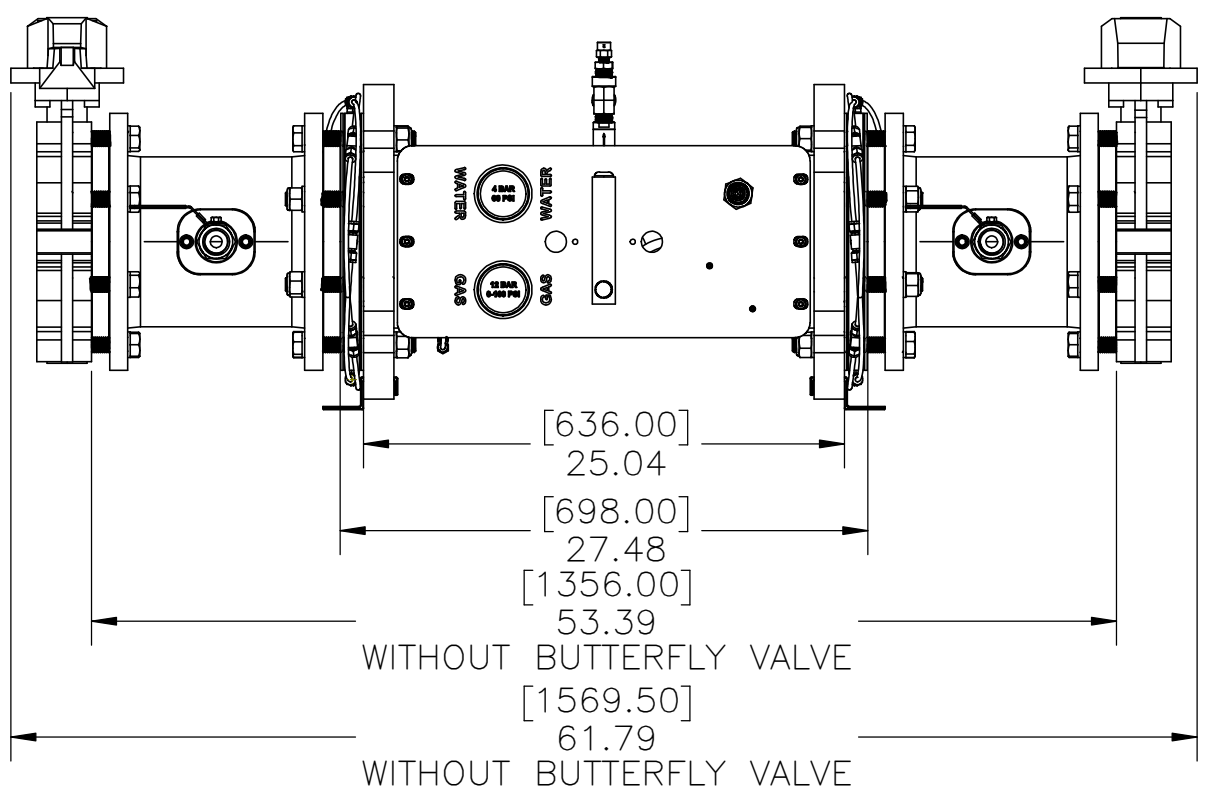
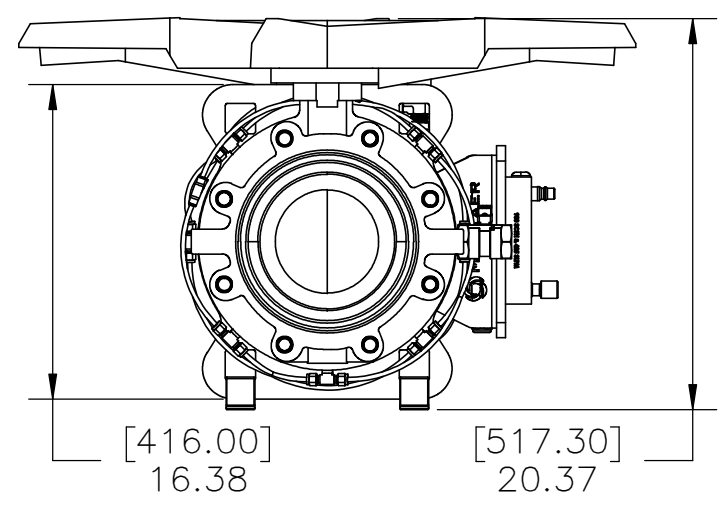
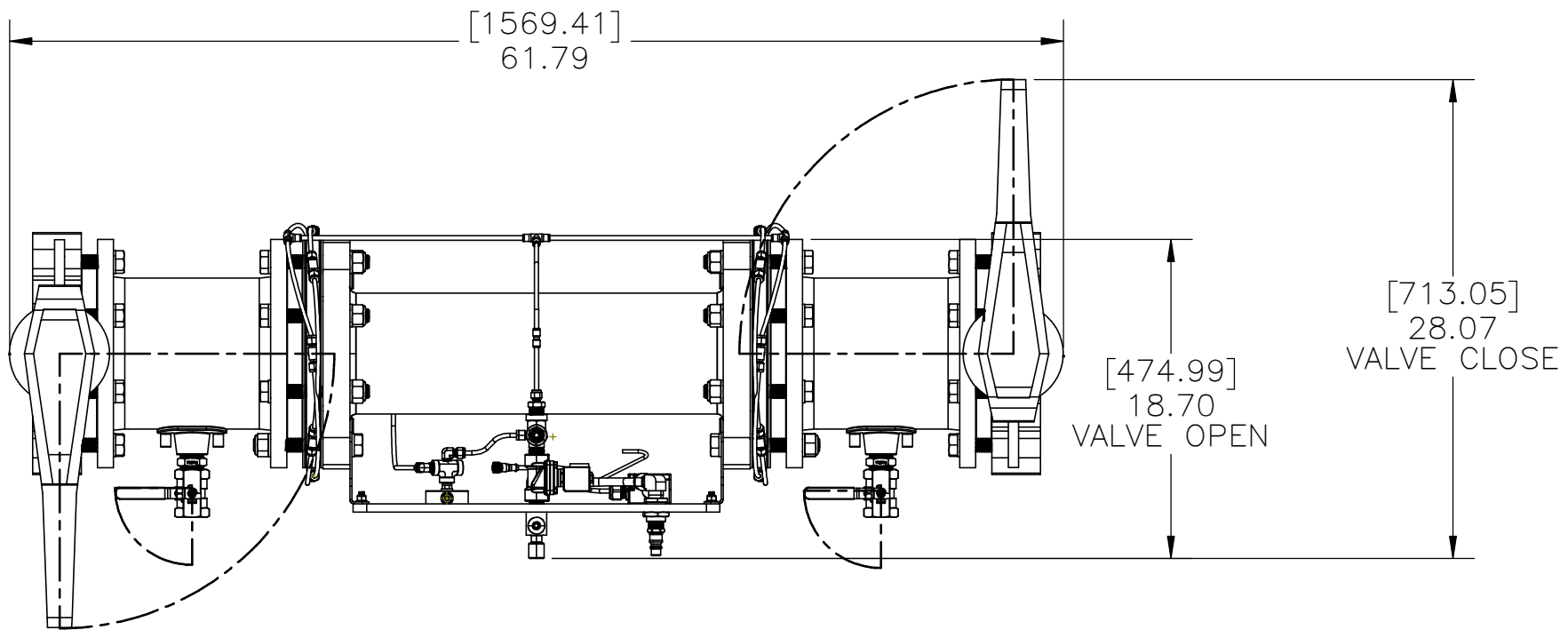
DRAWING TITLE:
TRINITY L4, HDPE, METRIC, GAD

DRAWING NO:
50F0-800(WITH BUTTERFLY VALVE)
50F3-800(WITHOUT BUTTERFLY VALVE)


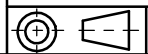
SIZE: B SCALE: 1:10 SHEET: 1/2 REV: C

8 7 6 5 4 3 2 1

F E D C B A



A

UNLESS OTHERWISE SPECIFIED: DIMENSIONS IN INCHES[mm] TOLERANCES ARE ±0.250[±6.35]	DRAWN BY M.CHA	DATE 07/10/23	 MOLEAER <small>ADVANCING TRANSDUCIBLE TECHNOLOGY</small> 3232 W. EL SEGUNDO BLVD HAWTHORNE CA, 90250	
	CHECKED BY C.LAUGHLIN	DATE 07/12/23		
	APPROVED BY P.MAHMOUDIAN	DATE 07/13/23		
PROPRIETARY AND CONFIDENTIAL <small>INFORMATION CONTAINED IN THIS DRAWING IS THE SOLE PROPERTY OF "MOLEAER INC". ANY REPRODUCTION IN PART OR WHOLE WITHOUT THE WRITTEN PERMISSION OF "MOLEAER INC" IS PROHIBITED.</small>			DRAWING TITLE: TRINITY L4, HDPE, METRIC, GAD DRAWING NO: 50F0-800(WITH BUTTERFLY VALVE) 50F3-800(WITHOUT BUTTERFLY VALVE)	
 SIZE: B		SCALE: 1:10	SHEET: 2/2	REV: C

8 7 6 5 4 3 2 1