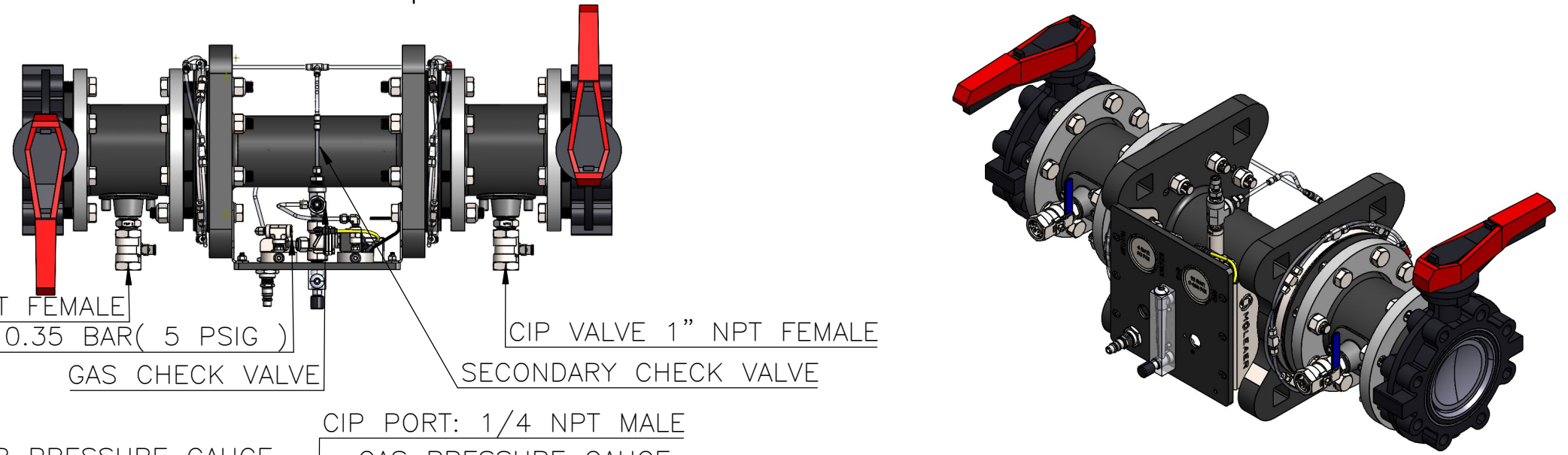
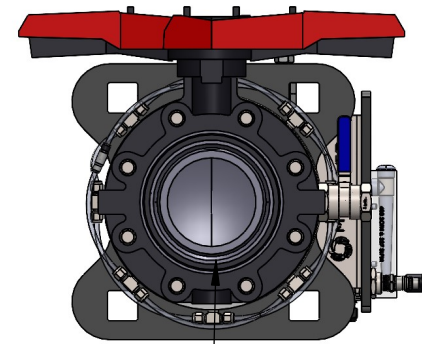


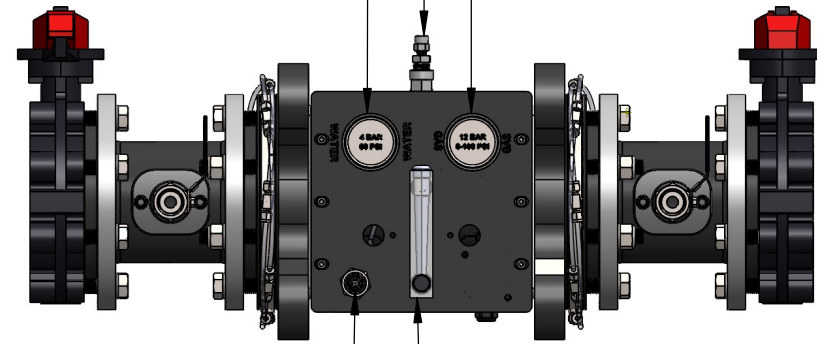
MATERIAL LIST	
MAIN COMPONENTS	MATERIAL
PIPE	HDPE
GAUGE	300 SERIES STAINLESS STEEL
GAS TUBING	PTFE
SOLENOID VALVE	316SS
CIP VALVE	316SS
BUTTERFLY VALVE	PVC, FKM



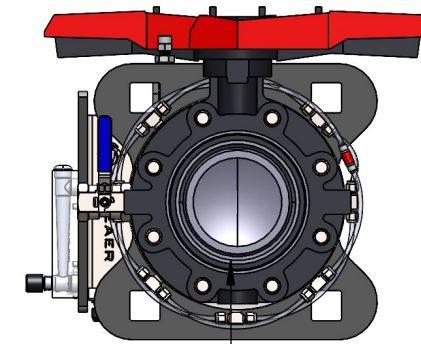
CIP VALVE 1" BSPT FEMALE
 WATER PRESSURE SWITCH SET : 0.35 BAR (5 PSIG)
 GAS CHECK VALVE
 CIP VALVE 1" NPT FEMALE
 SECONDARY CHECK VALVE



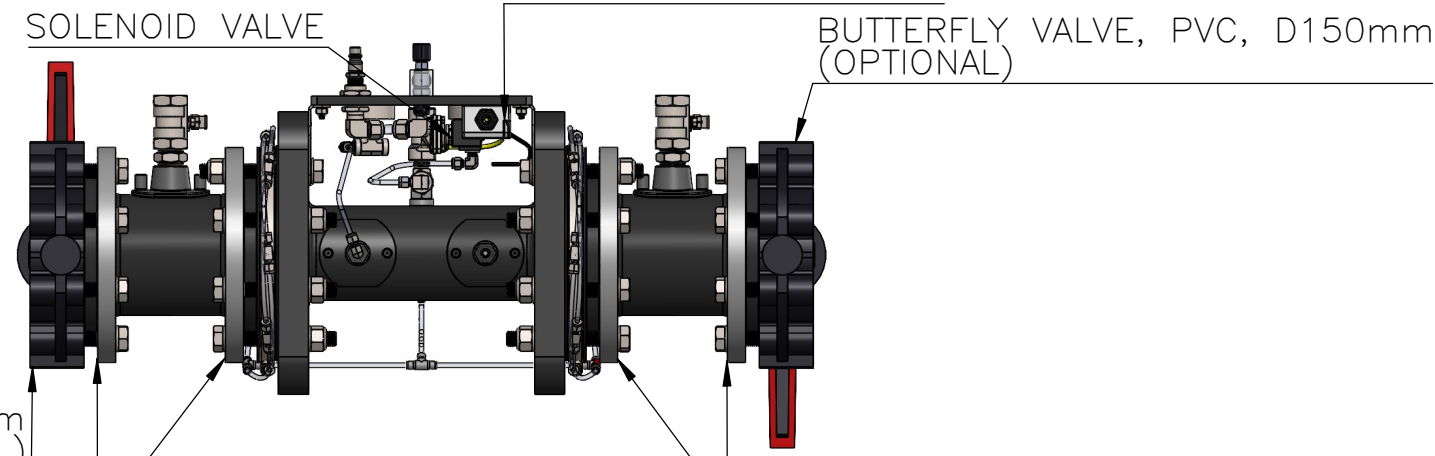
WATER INLET : D150mm
 GAS INLET : CGA022 OR 1/2" NPT INDUSTRIAL FITTING



WATER PRESSURE GAUGE
 0-4 BAR (0-60PSI)
 CIP PORT: 1/4 NPT MALE
 GAS PRESSURE GAUGE
 0-12 BAR (0-160PSI)
 ROTAMETER RANGE 480SCFH & 227SLPM
 JUNCTION BOX : 24VDC
 BLK : +
 WHT : -



WATER OUTLET : D150mm

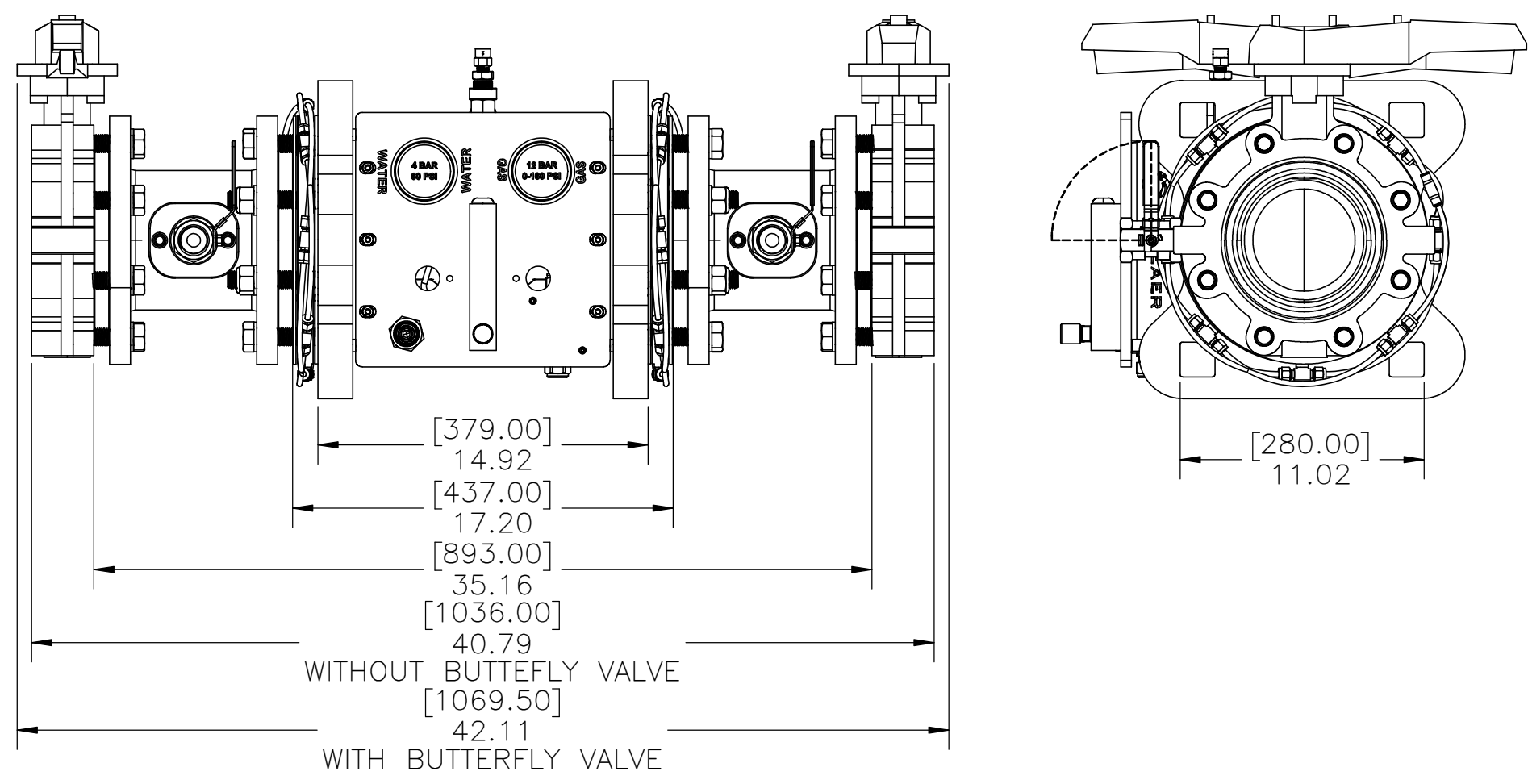
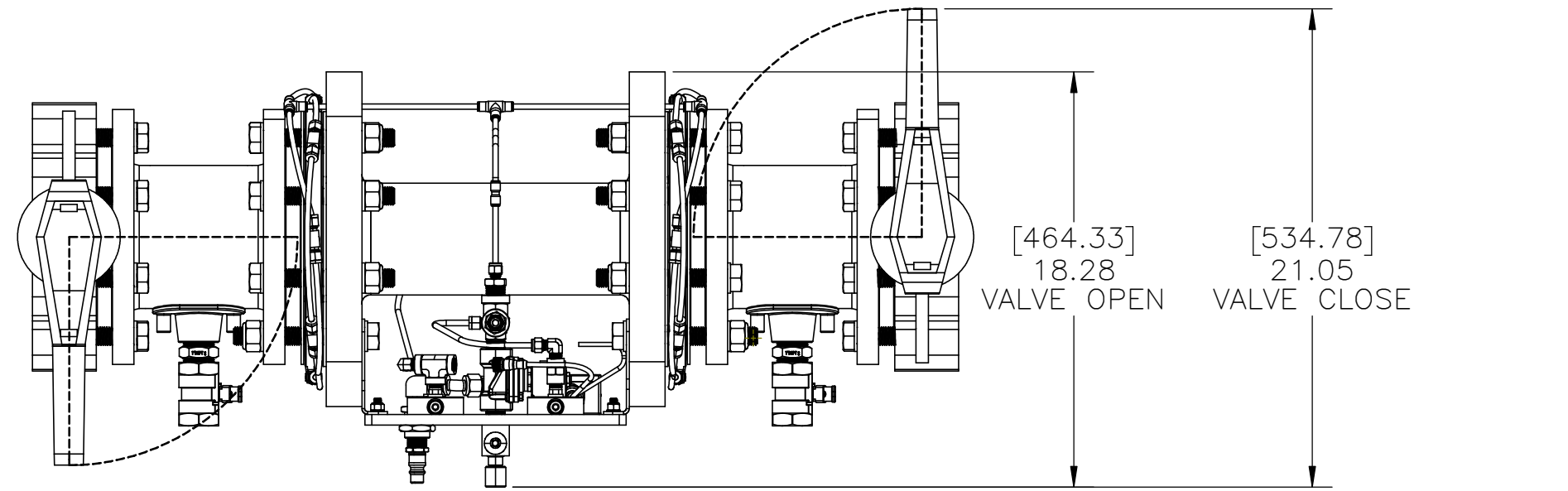
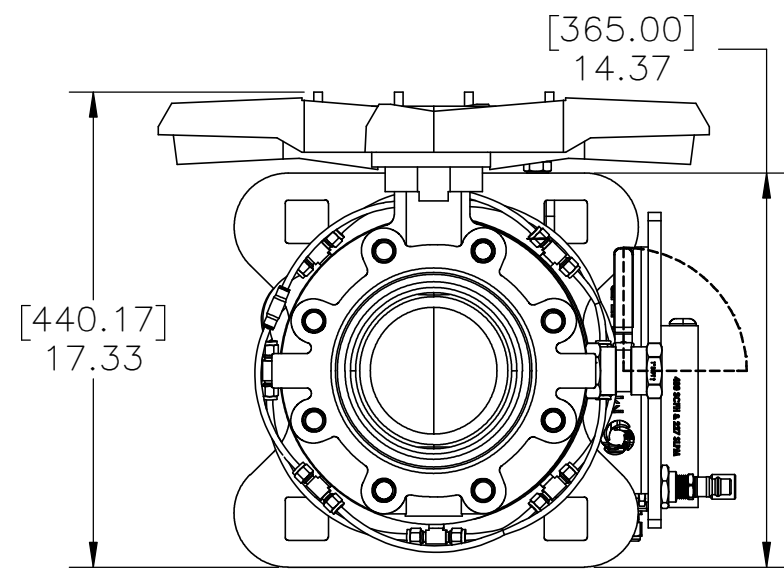
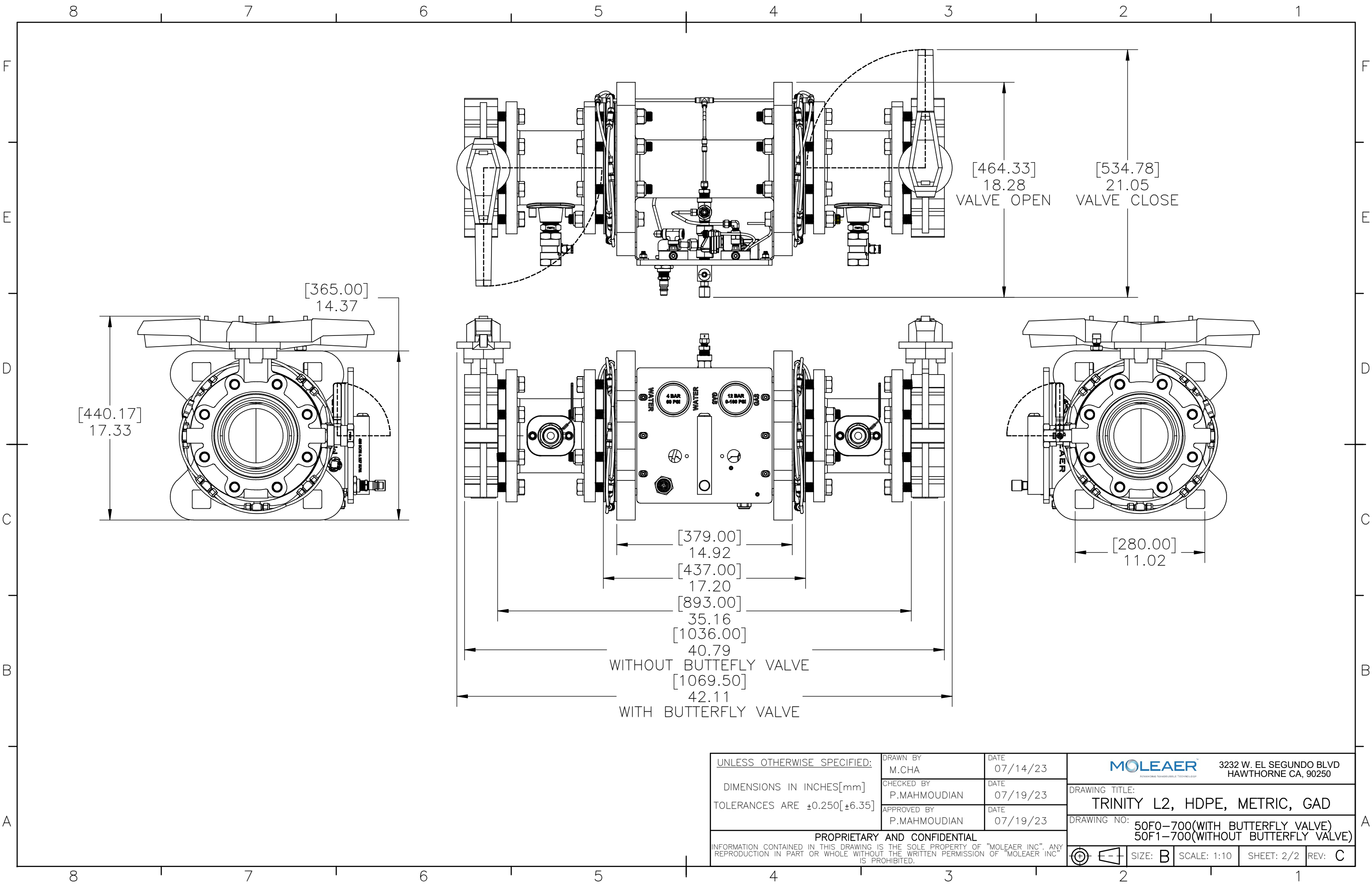



SOLENOID VALVE
 BUTTERFLY VALVE, PVC, D150mm (OPTIONAL)
 D150mm FLANGE PN10 EN1092
 BUTTERFLY VALVE, PVC, D150mm (OPTIONAL)
 D150mm FLANGE PN10 EN1092

REV.	BY	DESCRIPTION	ECO	DATE	CHECKED	APPROVED
C	EC	ADDED CHECK VALVES, & CIP PORT	2069	02/23/24	MC	PM
B	MC	ADDED SADDLE ON CENTER SPOOL, ISOLATION SPOOL, & BUTTERFLY VALVE	2040	10/24/23	PM	PM
A	MC	INITIAL RELEASE	1377	07/14/23	PM	PM

UNLESS OTHERWISE SPECIFIED: DIMENSIONS IN INCHES[mm] TOLERANCES ARE ±0.250[±6.35]	DRAWN BY M.CHA CHECKED BY P.MAHMOUDIAN APPROVED BY P.MAHMOUDIAN	DATE 07/14/23 DATE 07/19/23 DATE 07/19/23
PROPRIETARY AND CONFIDENTIAL INFORMATION CONTAINED IN THIS DRAWING IS THE SOLE PROPERTY OF "MOLEAER INC". ANY REPRODUCTION IN PART OR WHOLE WITHOUT THE WRITTEN PERMISSION OF "MOLEAER INC" IS PROHIBITED.		

3232 W. EL SEGUNDO BLVD HAWTHORNE CA, 90250
DRAWING TITLE: TRINITY L2, HDPE, METRIC, GAD
DRAWING NO: 50F0-700(WITH BUTTERFLY VALVE) 50F1-700(WITHOUT BUTTERFLY VALVE)
SIZE: B SCALE: 1:10 SHEET: 1/2 REV: C



UNLESS OTHERWISE SPECIFIED: DIMENSIONS IN INCHES[mm] TOLERANCES ARE $\pm 0.250[\pm 6.35]$	DRAWN BY M.CHA	DATE 07/14/23	 3232 W. EL SEGUNDO BLVD HAWTHORNE CA, 90250	
	CHECKED BY P.MAHMOUDIAN	DATE 07/19/23		DRAWING TITLE: TRINITY L2, HDPE, METRIC, GAD
	APPROVED BY P.MAHMOUDIAN	DATE 07/19/23		DRAWING NO: 50F0-700(WITH BUTTERFLY VALVE) 50F1-700(WITHOUT BUTTERFLY VALVE)
PROPRIETARY AND CONFIDENTIAL INFORMATION CONTAINED IN THIS DRAWING IS THE SOLE PROPERTY OF "MOLEAER INC". ANY REPRODUCTION IN PART OR WHOLE WITHOUT THE WRITTEN PERMISSION OF "MOLEAER INC" IS PROHIBITED.			SIZE: B SCALE: 1:10 SHEET: 2/2 REV: C	