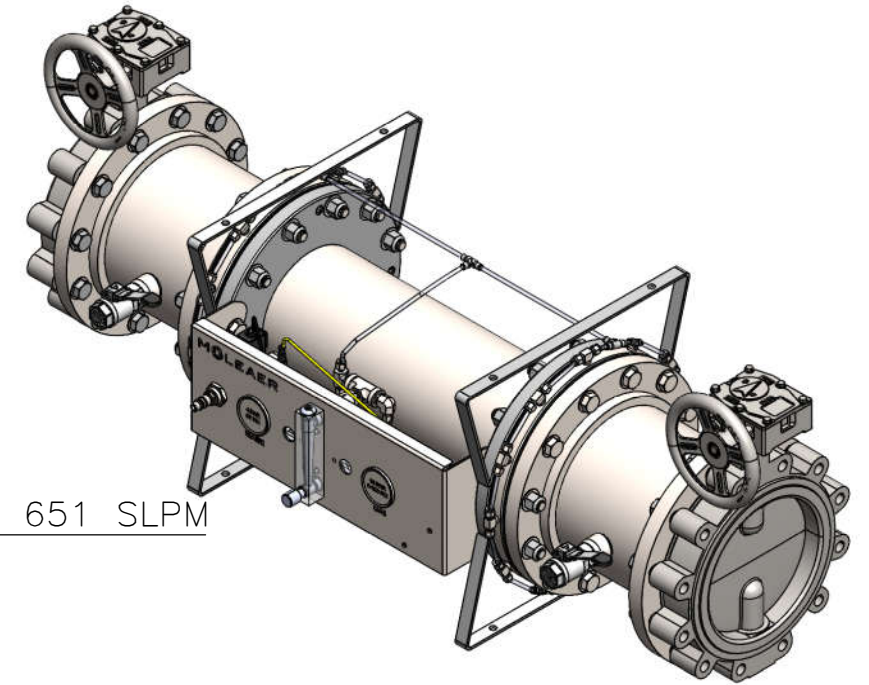
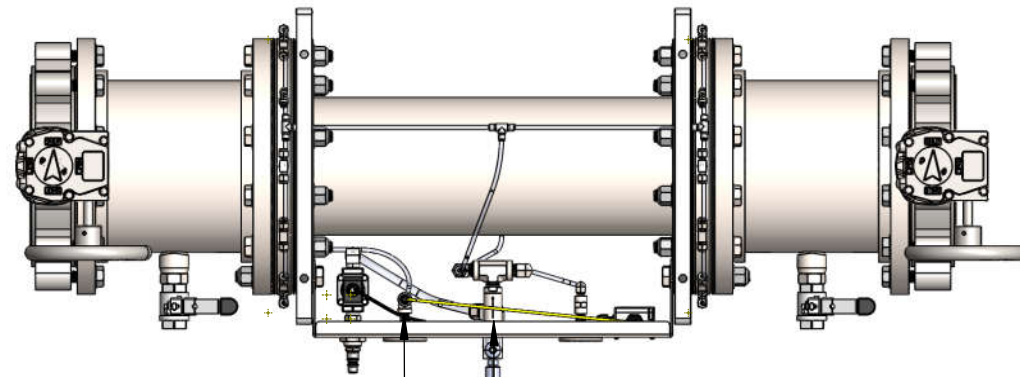


MATERIAL LIST

MAIN COMPONENTS	MATERIAL
PIPES	316SS
GAUGE	300 SERIES STAINLESS STEEL
GAS TUBING	PTFE
SOLENOID VALVE	316SS
BUTTERFLY VALVE	316SS, VITON
CIP VALVE	316SS, PTFE

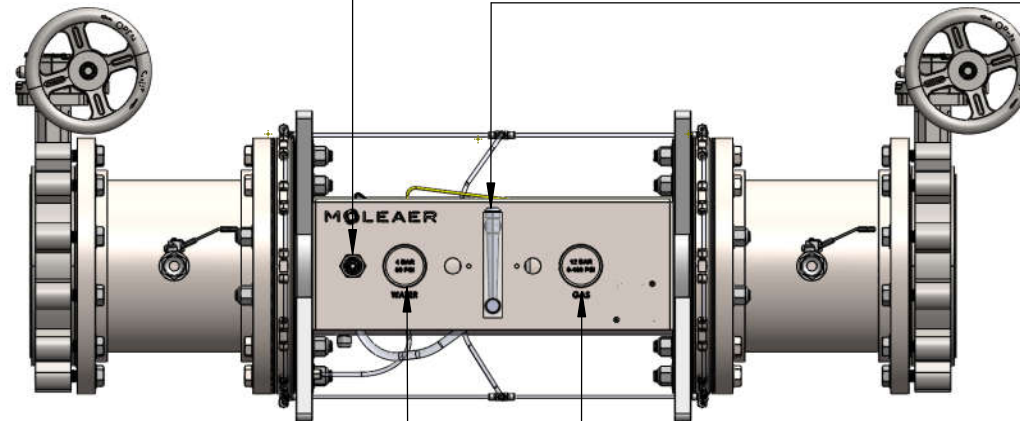


WATER PRESSURE SWITCH: 0.35 BAR (5 PSIG)

GAS CHECK VALVE

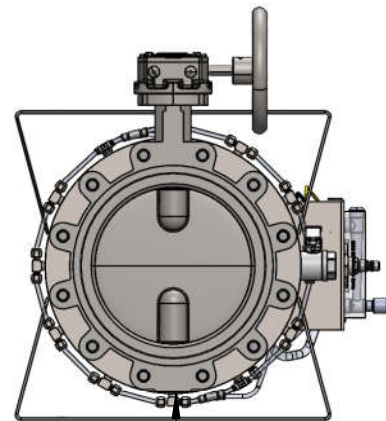
GAS INLET: 1/2" NPT INDUSTRIAL FITTING OR CGA022

ROTAMETER RANGE 1380 SCFH & 651 SLPM



WATER PRESSURE GAUGE
0-4 BAR (0-60PSI)

GAS PRESSURE GAUGE
0-12 BAR (0-160PSI)



WATER INLET 10"

SOLENOID VALVE

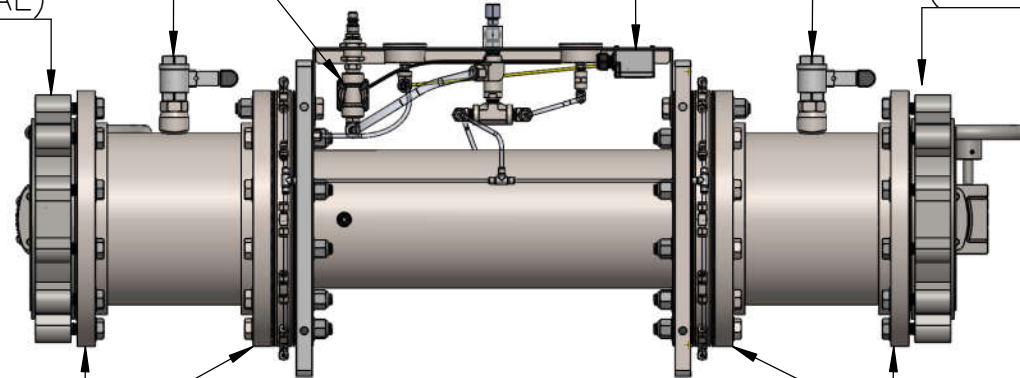
JUNCTION BOX

CIP VALVE 1" NPT FEMALE
BUTTERFLY VALVE 10"
(OPTIONAL)

24VDC
WHT: +
BLK: -

CIP VALVE 1" NPT FEMALE
BUTTERFLY VALVE 10"
(OPTIONAL)

WATER OUTLET 10"



10" FLANGE #150 ANSI B16.5

10" FLANGE #150 ANSI B16.5

UNLESS OTHERWISE SPECIFIED: DIMENSIONS IN INCHES[mm] TOLERANCE ARE ±0.250[±6.35]	DRAWN BY E.CRUIZ	DATE 10/31/23
	CHECKED BY M.CHA	DATE 12/01/23
	APPROVED BY P.MAHMOUDIAN	DATE 12/04/23

MOLEAER 3232 W. EL SEGUNDO BLVD
HAWTHORNE CA, 90250

DRAWING TITLE: TRINITY L6, 316SS,
IMPERIAL, GAD

DRAWING NO: 50F2-905(WITH BUTTERFLY VALVE)
50F3-905(WITHOUT BUTTERFLY VALVE)

PROPRIETARY AND CONFIDENTIAL
INFORMATION CONTAINED IN THIS DRAWING IS THE SOLE PROPERTY OF "MOLEAER INC". ANY
REPRODUCTION IN PART OR WHOLE WITHOUT THE WRITTEN PERMISSION OF "MOLEAER INC"
IS PROHIBITED.

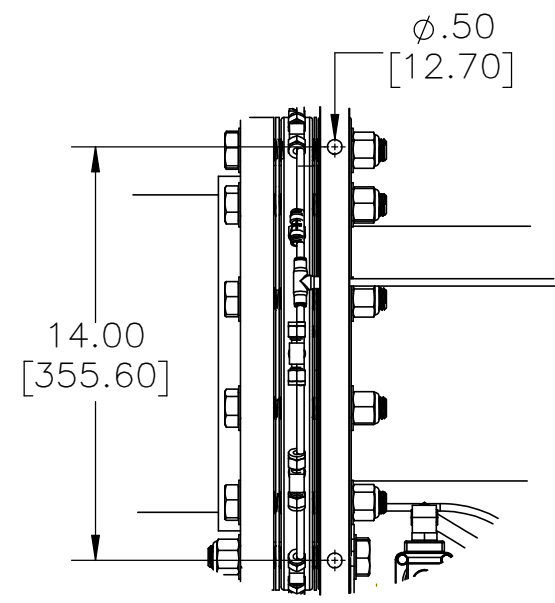
SIZE: B SCALE: 1:12 SHEET: 1/2 REV: A

REV.	BY	DESCRIPTION	ECO	DATE	CHECKED	APPROVED
A	EC	INITIAL RELEASE	2034	10/31/23	MC	PM

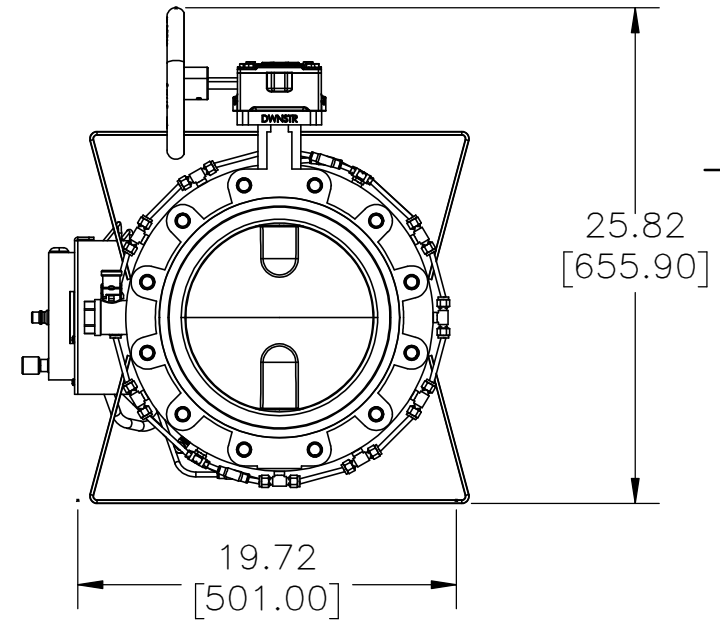
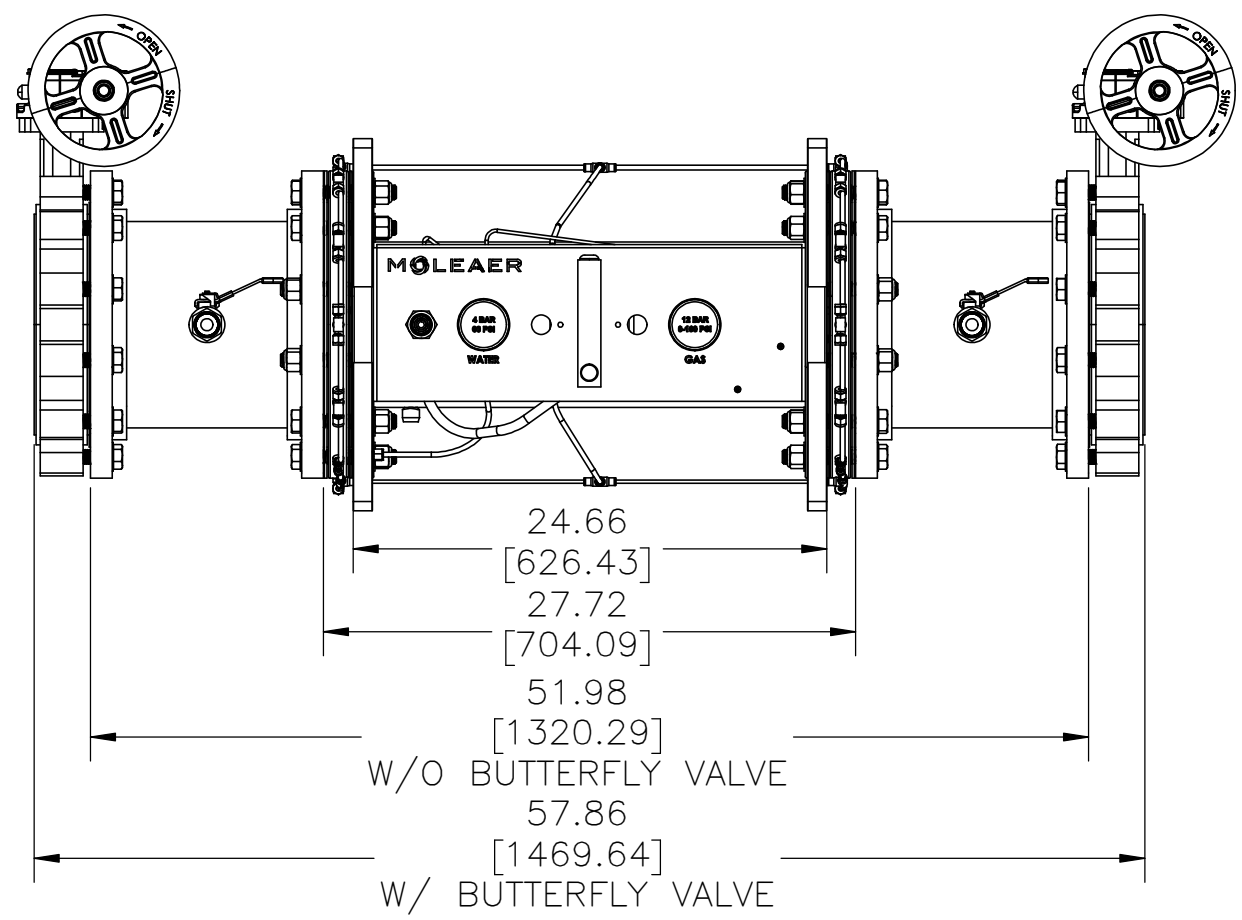
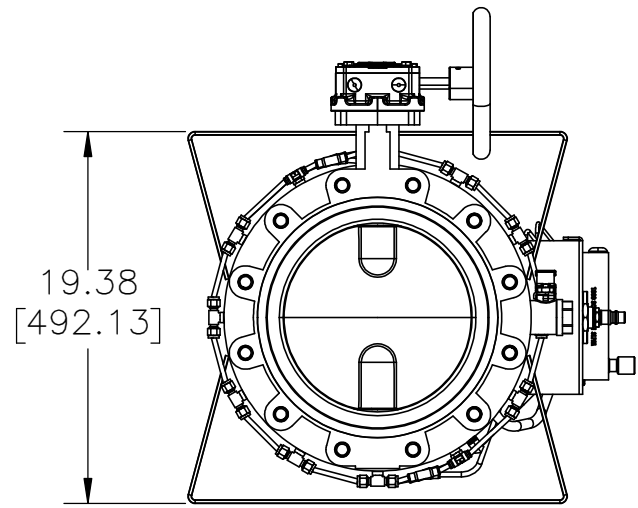
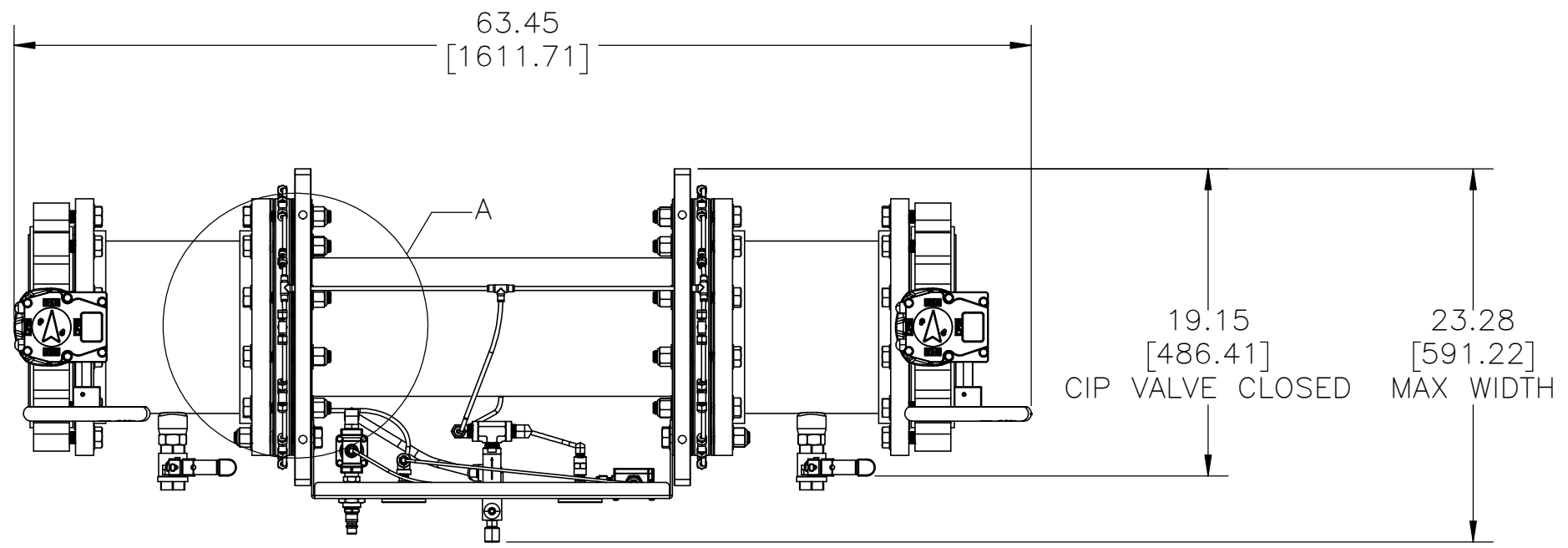
REVISIONS

8 7 6 5 4 3 2 1

F E D C B A



DETAIL A



REV.	BY	DESCRIPTION	ECO	DATE	CHECKED	APPROVED
A	EC	INITIAL RELEASE	2034	10/31/23	MC	PM

REVISIONS

UNLESS OTHERWISE SPECIFIED: DIMENSIONS IN INCHES[mm] TOLERANCE ARE ±0.250[±6.35]	DRAWN BY E.CRUIZ	DATE 10/31/23
	CHECKED BY M.CHA	DATE 12/01/23
	APPROVED BY P.MAHMOUDIAN	DATE 12/04/23
PROPRIETARY AND CONFIDENTIAL <small>INFORMATION CONTAINED IN THIS DRAWING IS THE SOLE PROPERTY OF "MOLEAER INC". ANY REPRODUCTION IN PART OR WHOLE WITHOUT THE WRITTEN PERMISSION OF "MOLEAER INC" IS PROHIBITED.</small>		

		3232 W. EL SEGUNDO BLVD HAWTHORNE CA, 90250	
DRAWING TITLE: TRINITY L6, 316SS, IMPERIAL, GAD			
DRAWING NO: 50F2-905(WITH BUTTERFLY VALVE) 50F3-905(WITHOUT BUTTERFLY VALVE)			
	SIZE: B	SCALE: 1:12	SHEET: 2/2
		REV: A	

8 7 6 5 4 3 2 1

A

A