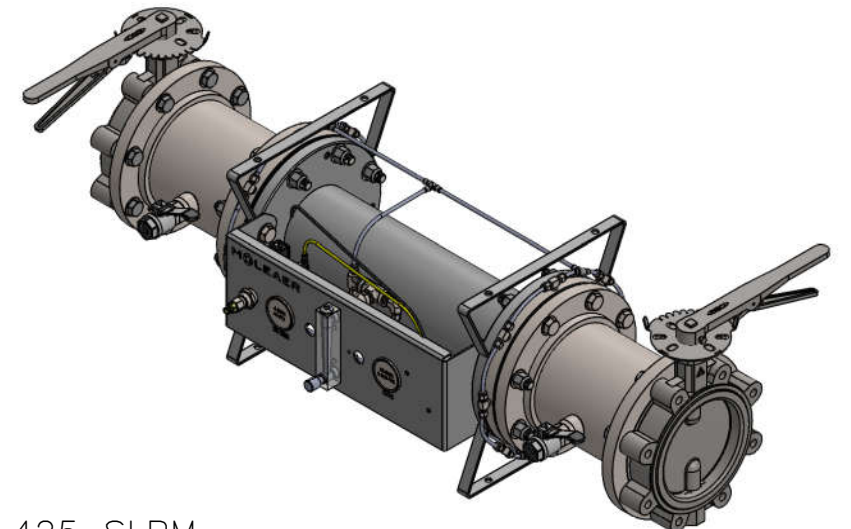
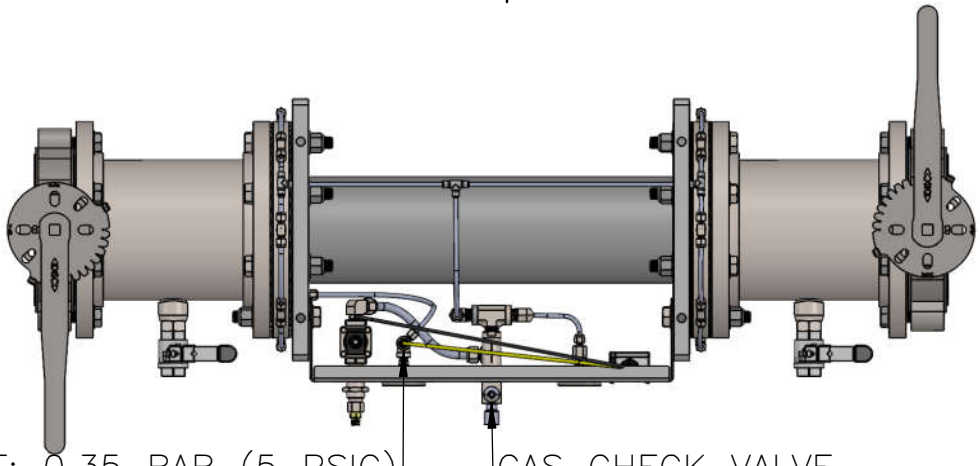
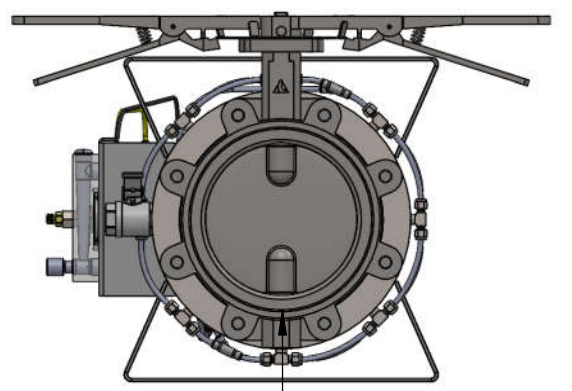
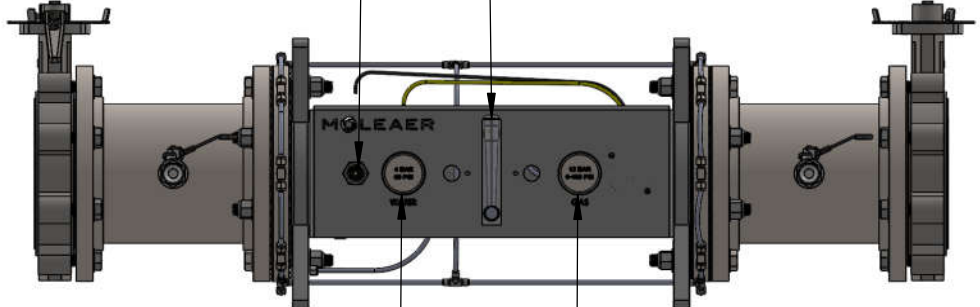
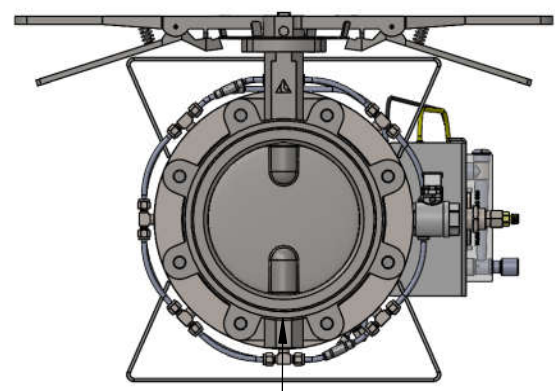


MATERIAL LIST	
MAIN COMPONENTS	MATERIAL
PIPES	316SS
GAUGE	300 SERIES STAINLESS STEEL
GAS TUBING	PTFE
SOLENOID VALVE	316SS
BUTTERFLY VALVE	316SS, VITON
CIP VALVE	316SS, PTFE



WATER PRESSURE SET: 0.35 BAR (5 PSIG)      GAS CHECK VALVE  
 GAS INLET: 1/2" NPT INDUSTRIAL FITTING OR CGA022      ROTAMETER RANGE 900 SCFH & 425 SLPM

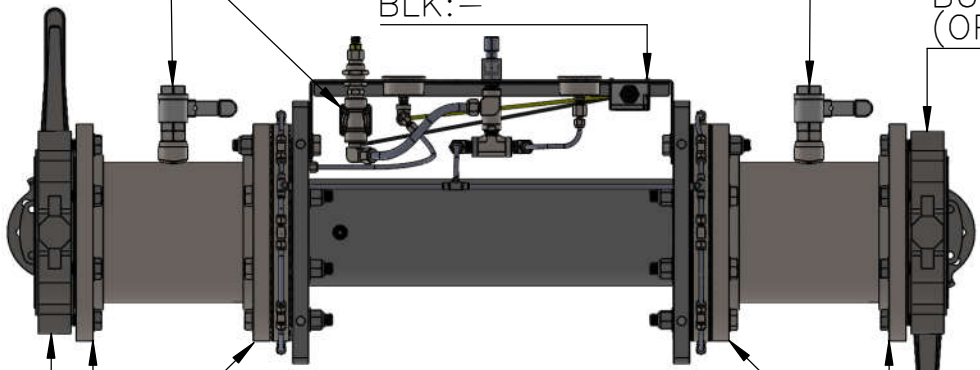


WATER INLET 8"

WATER PRESSURE GAUGE 0-4 BAR (0-60PSI)      GAS PRESSURE GAUGE 0-12 BAR (0-160PSI)

WATER OUTLET 8"

SOLENOID VALVE CIP VALVE 1" NPT FEMALE      JUNCTION BOX 24VDC WHT: + BLK: -      CIP VALVE 1" NPT FEMALE BUTTERFLY VALVE 8" (OPTIONAL)



BUTTERFLY VALVE 8" (OPTIONAL)      8" FLANGE #150 ANSI B16.5      8" FLANGE #150 ANSI B16.5

UNLESS OTHERWISE SPECIFIED: DIMENSIONS IN INCHES[mm] TOLERANCE ARE ±0.250[±6.35]	DRAWN BY E.CRUIZ	DATE 10/10/23
	CHECKED BY M.CHA	DATE 10/10/23
	APPROVED BY P.MAHMOUDIAN	DATE 10/12/23

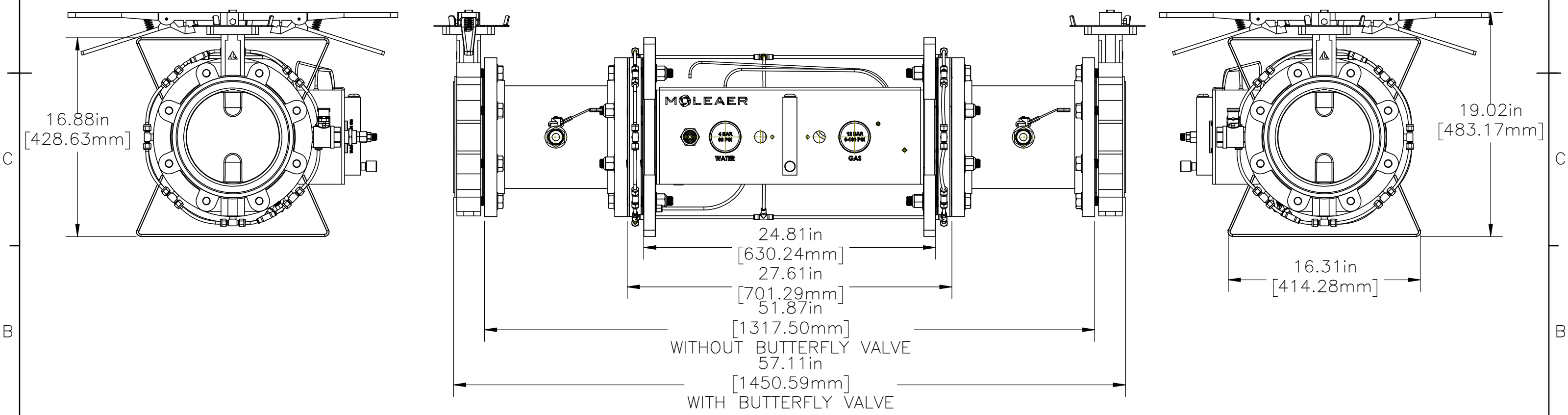
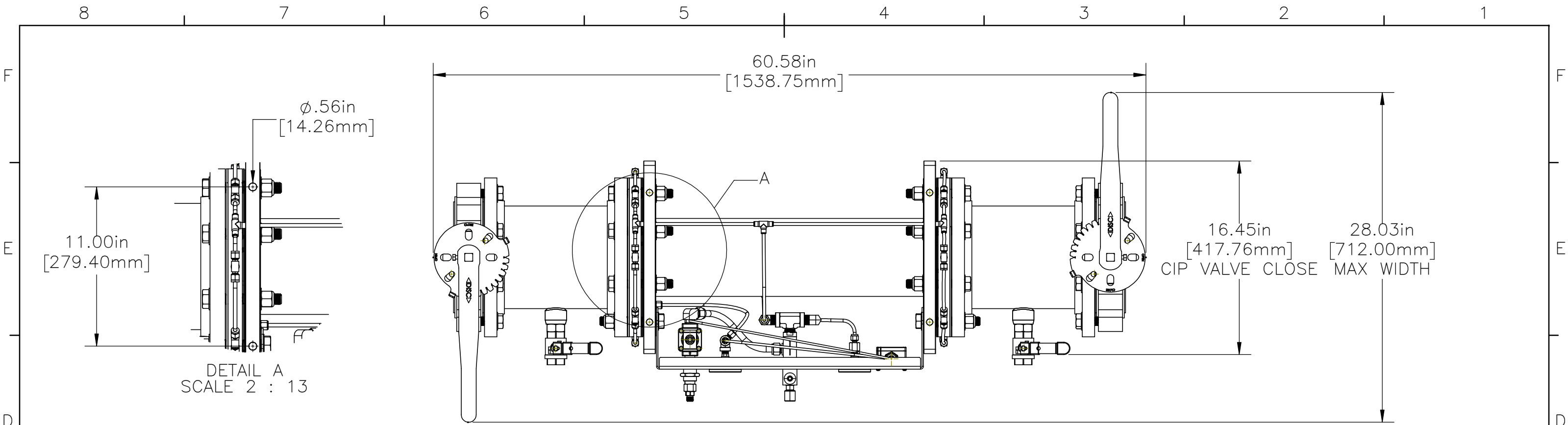
**MOLEAER** 3232 W. EL SEGUNDO BLVD  
HAWTHORNE CA, 90250

DRAWING TITLE: **TRINITY L4, 316SS, IMPERIAL, GAD**

DRAWING NO: 50F2-015(WITH BUTTERFLY VALVE)  
50F3-015(WITHOUT BUTTERFLY VALVE)

PROPRIETARY AND CONFIDENTIAL  
 INFORMATION CONTAINED IN THIS DRAWING IS THE SOLE PROPERTY OF "MOLEAER INC". ANY REPRODUCTION IN PART OR WHOLE WITHOUT THE WRITTEN PERMISSION OF "MOLEAER INC" IS PROHIBITED.

REV.	BY	DESCRIPTION	ECO	DATE	CHECKED	APPROVED
A	EC	INITIAL RELEASE	2035	10/10/23	MC	PM
REVISIONS						



UNLESS OTHERWISE SPECIFIED: DIMENSIONS IN INCHES[mm] TOLERANCE ARE ±0.250[±6.35]	DRAWN BY E.CRUIZ	DATE 10/10/23	<b>MOLEAER</b> 3232 W. EL SEGUNDO BLVD HAWTHORNE CA, 90250 DRAWING TITLE: <b>TRINITY L4, 316SS, IMPERIAL, GAD</b> DRAWING NO: <b>50F2-015(WITH BUTTERFLY VALVE) 50F3-015(WITHOUT BUTTERFLY VALVE)</b>
	CHECKED BY M.CHA	DATE 10/10/23	
	APPROVED BY P.MAHMOUDIAN	DATE 10/12/23	
PROPRIETARY AND CONFIDENTIAL INFORMATION CONTAINED IN THIS DRAWING IS THE SOLE PROPERTY OF "MOLEAER INC". ANY REPRODUCTION IN PART OR WHOLE WITHOUT THE WRITTEN PERMISSION OF "MOLEAER INC" IS PROHIBITED.			SIZE: <b>B</b> SCALE: 1:12 SHEET: 2/2 REV: <b>A</b>

REV.	BY	DESCRIPTION	ECO	DATE	CHECKED	APPROVED
A	EC	INITIAL RELEASE	2035	10/10/23	MC	PM
REVISIONS						