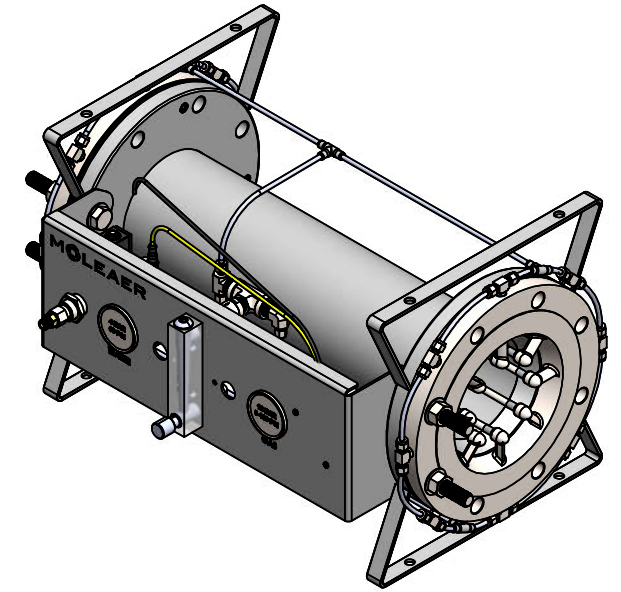
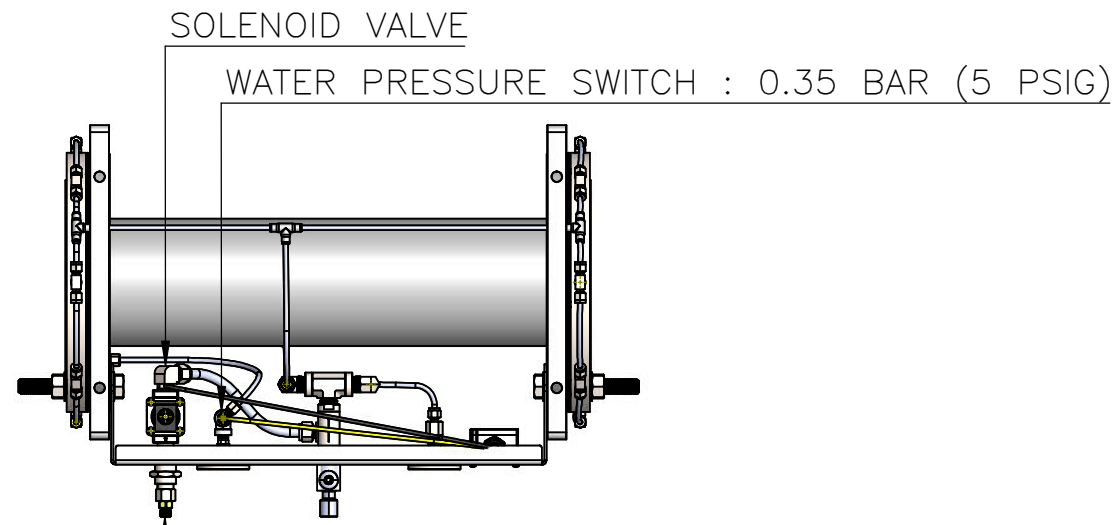
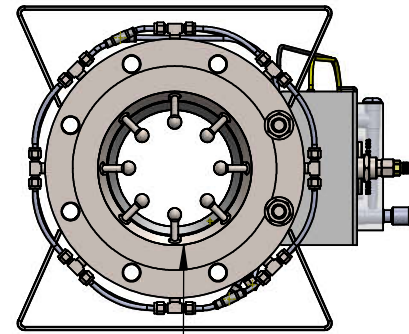


MATERIAL LIST

MAIN COMPONENT	MATERIAL
PIPES	316SS
GAUGE	300 SERIES STAINLESS STEEL
GAS TUBING	PTFE
SOLENOID VALVE	316SS

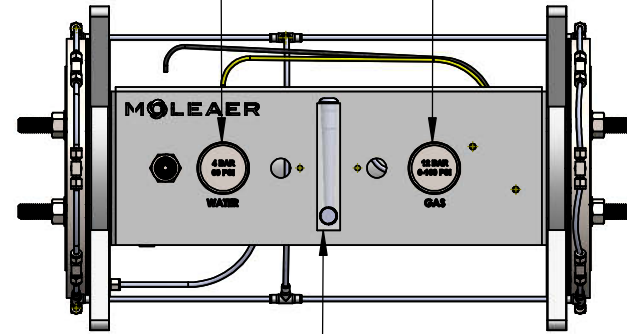


GAS INLET : 1/2" NPT INDUSTRIAL FITTING OR CGA022

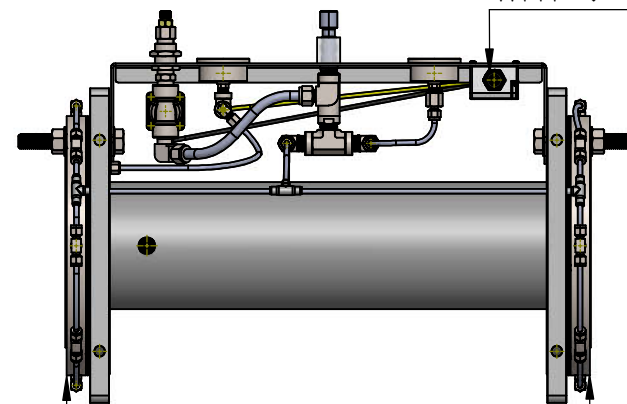
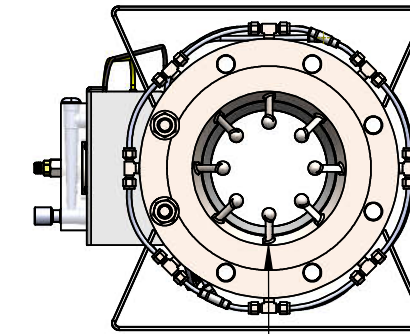


WATER PRESSURE GAUGE
0-4 BAR (0-60 PSI)

GAS PRESSURE GAUGE
0-12 BAR (0-160 PSI)



JUNCTION BOX : 24VDC
BLK : +
WHT : -

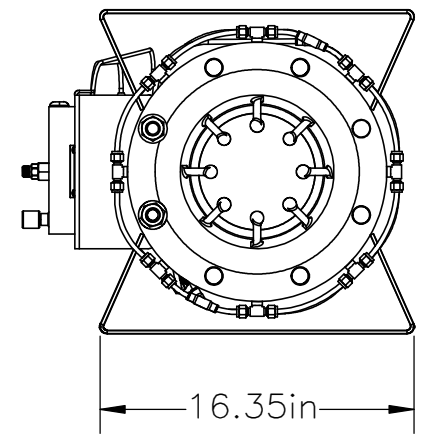
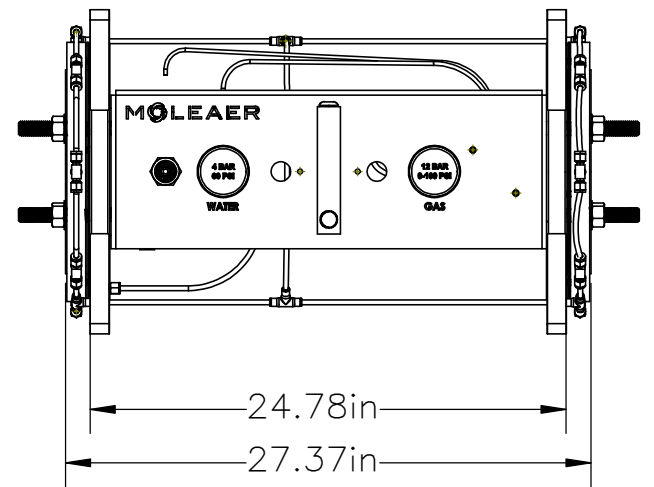
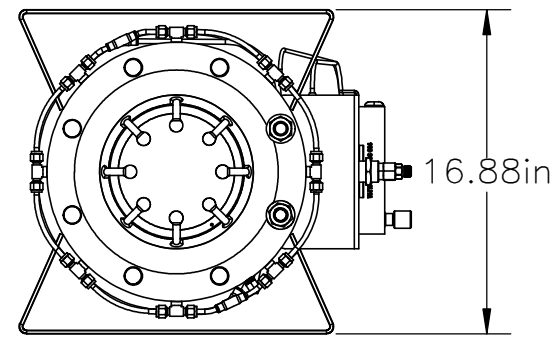
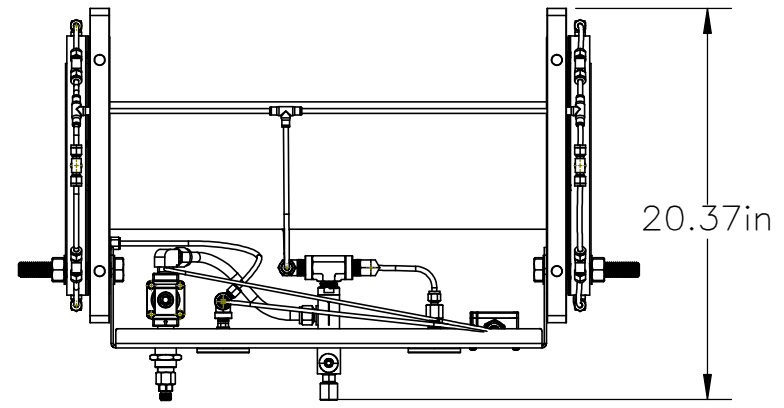


REV.	BY	DESCRIPTION	ECO	DATE	CHECKED	APPROVED
A	MC	INITIAL RELEASE	2023	08/23/23	PM	PM
REVISIONS						

UNLESS OTHERWISE SPECIFIED: ALL DIMENSIONS ARE REFERENCE ONLY AND DIMENSIONS IN INCHES	DRAWN BY M.CHA	DATE 08/23/23
	CHECKED BY P.MAHMOUDIAN	DATE 10/16/23
	APPROVED BY P.MAHMOUDIAN	DATE 10/16/23
	PROPRIETARY AND CONFIDENTIAL <small>INFORMATION CONTAINED IN THIS DRAWING IS THE SOLE PROPERTY OF MOLEAER INC. ANY REPRODUCTION IN PART OR WHOLE WITHOUT THE WRITTEN PERMISSION OF MOLEAER INC IS PROHIBITED.</small>	

3232 W. EL SEGUNDO BLVD HAWTHORNE CA, 90250	
DRAWING TITLE: NBG 6, 316SS, IMPERIAL,GAD	
DRAWING NO: 50F2-010	
SIZE: B	SCALE: 1:10
SHEET: 1/2	REV: A


ALL DIMENSIONS ARE INCHES.


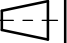


REV.	BY	DESCRIPTION	ECO	DATE	CHECKED	APPROVED
A	MC	INITIAL RELEASE	2023	08/23/23	PM	PM

REVISIONS

UNLESS OTHERWISE SPECIFIED: ALL DIMENSIONS ARE REFERENCE ONLY AND DIMENSIONS IN INCHES	DRAWN BY M.CHA	DATE 08/23/23
	CHECKED BY P.MAHMOUDIAN	DATE 10/16/23
	APPROVED BY P.MAHMOUDIAN	DATE 10/16/23
	PROPRIETARY AND CONFIDENTIAL <small>INFORMATION CONTAINED IN THIS DRAWING IS THE SOLE PROPERTY OF "MOLEAER INC". ANY REPRODUCTION IN PART OR WHOLE WITHOUT THE WRITTEN PERMISSION OF "MOLEAER INC" IS PROHIBITED.</small>	

 3232 W. EL SEGUNDO BLVD
HAWTHORNE CA, 90250
 DRAWING TITLE:
NBG 6, 316SS, IMPERIAL, GAD
 DRAWING NO:
50F2-010

  SIZE: **B** SCALE: 1:10 SHEET: 2/2 REV: **A**