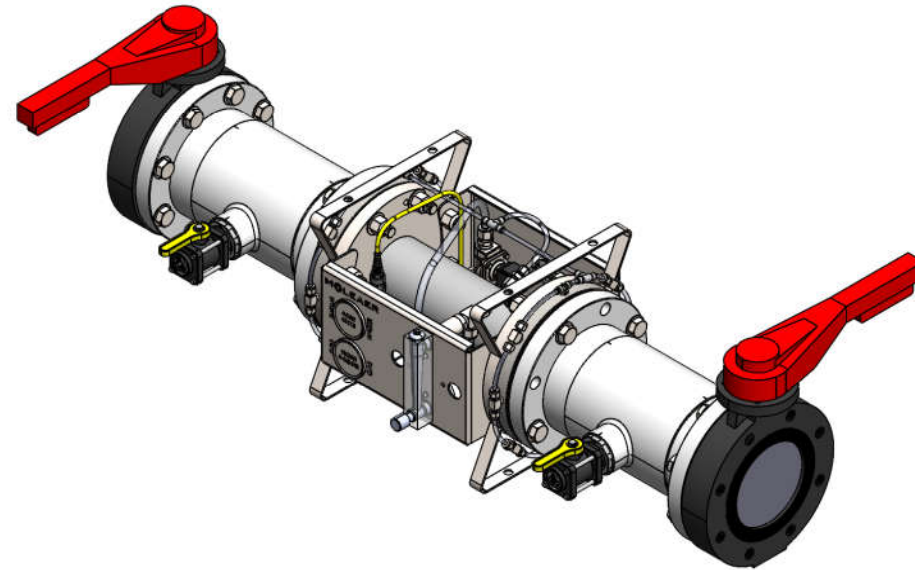
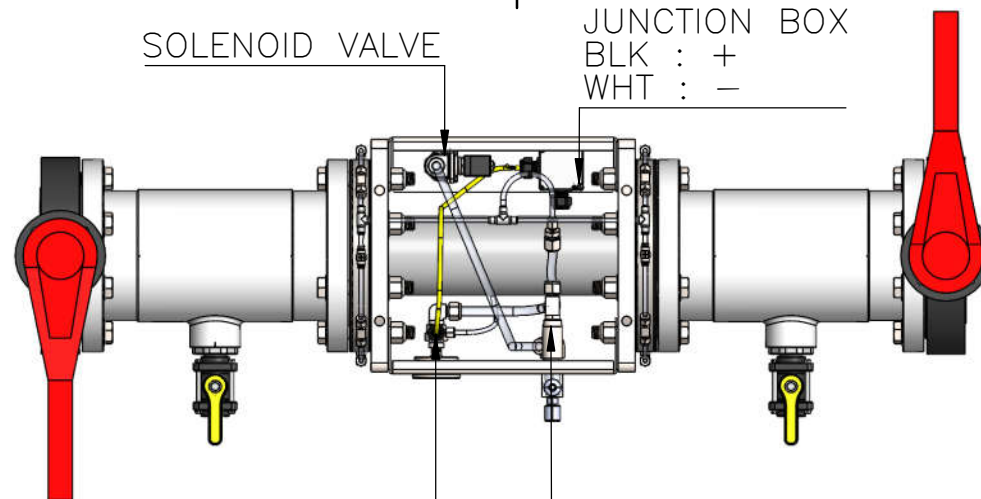
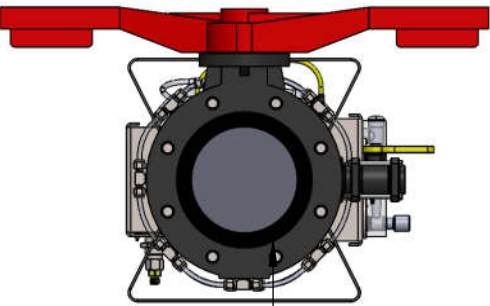


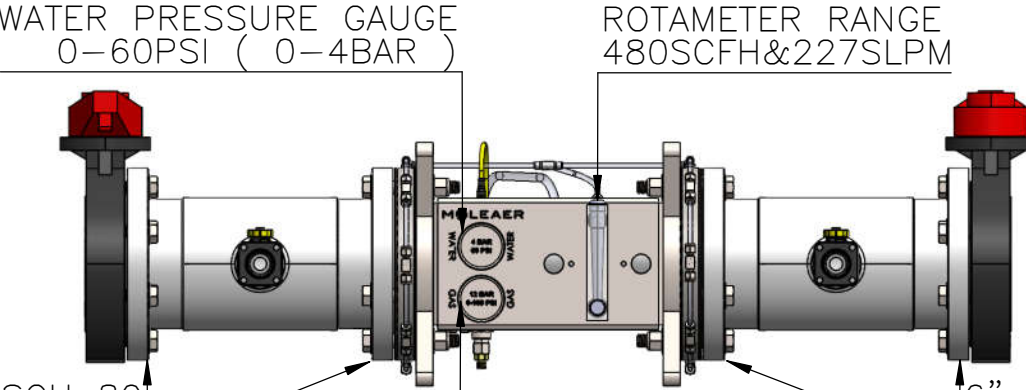
MATERIAL LIST	
MAIN COMPONENTS	MATERIAL
PIPES	PVC, 316SS
GAUGE	300 SERIES STAINLESS STEEL
GAS TUBING	PTFE
SOLENOID VALVE	316SS
BUTTER FLY VALVE	PVC, VITON
CIP VALVE	PP, PTFE



WATER PRESSURE SWITCH : 5PSIG(0.35BAR) CHECK VALVE



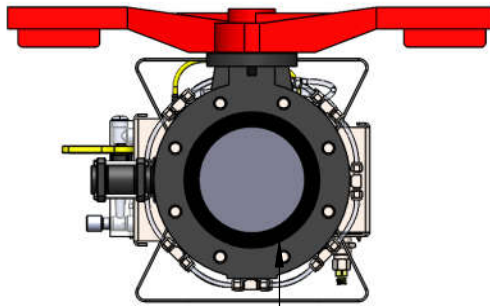
WATER INLET :
6" BUTTERFLY VALVE



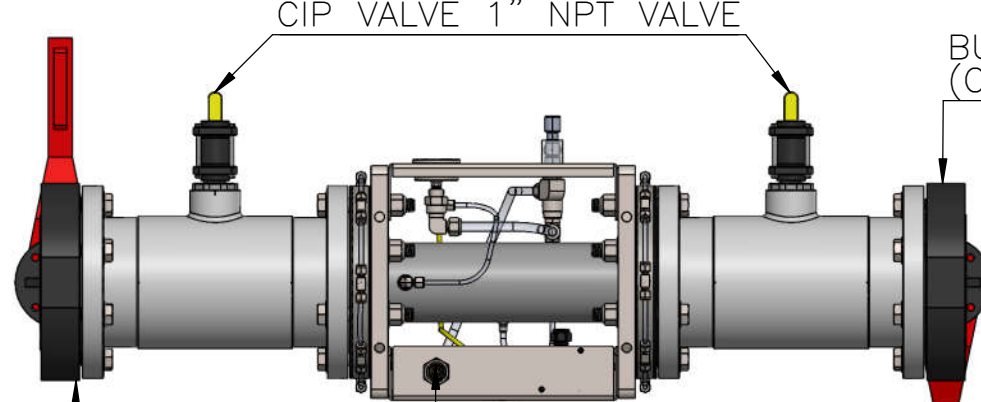
6" FLANGE SCH 80
ASTM D1784

GAS PRESSURE GAUGE
0-160PSI (0-12BAR)

6" FLANGE SCH 80
ASTM D1784



WATER OUTLET :
6" BUTTERFLY VALVE



BUTTERFLY VALVE
(OPTIONAL)

GAS INLET : 1/2" NPT INDUSTRIAL FITTING OR CGA022

UNLESS OTHERWISE SPECIFIED: DIMENSIONS IN INCHES TOLERANCES ARE ±0.250	DRAWN BY M.CHA	DATE 10/10/23
	CHECKED BY P.MAHMOUDIAN	DATE 10/10/23
	APPROVED BY P.MAHMOUDIAN	DATE 10/10/23
PROPRIETARY AND CONFIDENTIAL <small>INFORMATION CONTAINED IN THIS DRAWING IS THE SOLE PROPERTY OF "MOLEAER INC". ANY REPRODUCTION IN PART OR WHOLE WITHOUT THE WRITTEN PERMISSION OF "MOLEAER INC" IS PROHIBITED.</small>		

MOLEAER <small>ADVANCING MANUFACTURING TECHNOLOGY</small>		3232 W. EL SEGUNDO BLVD HAWTHORNE CA, 90250	
DRAWING TITLE: TRINITY L2, IMPERIAL, GAD			
DRAWING NO: 50F0-110(WITH BUTTERFLY VALVE) 50F2-110(WITHOUT BUTTERFLY VALVE)			
⊕	◁	SIZE: B	SCALE: 1:20
		SHEET: 1/2	REV: A

REV	BY	DESCRIPTION	ECO	DATE	CHECKED	APPROVED
A	MC	INITIAL RELEASE	2023	10/10/23	PM	PM
REVISIONS						

8 7 6 5 4 3 2 1

F F

E E

D D

C C

B B

A A

F F

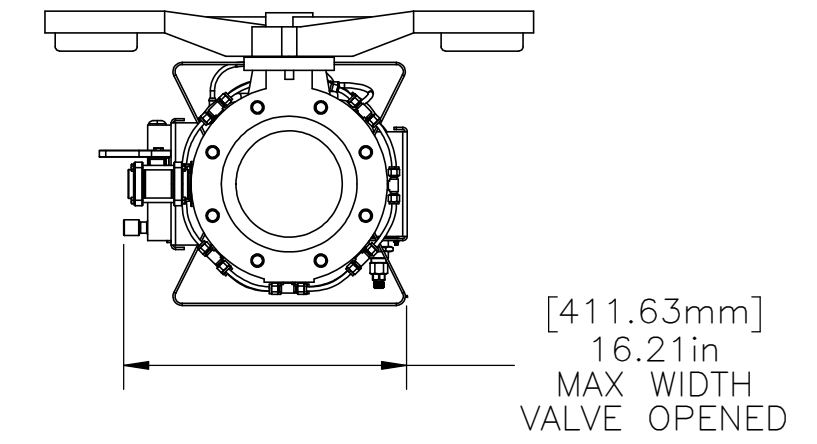
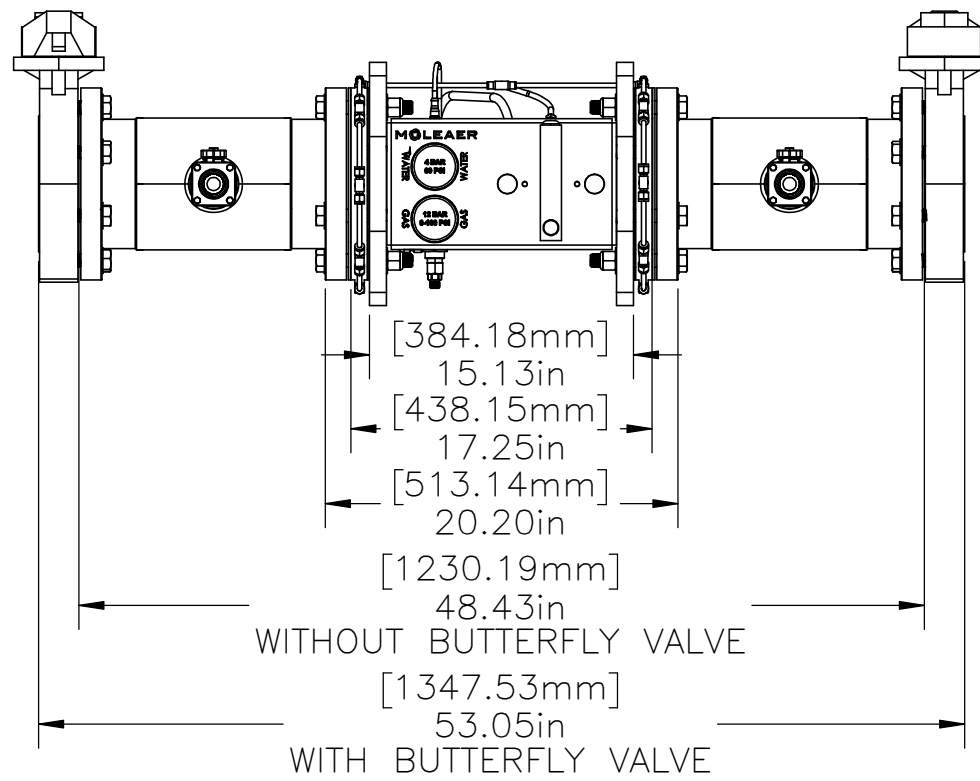
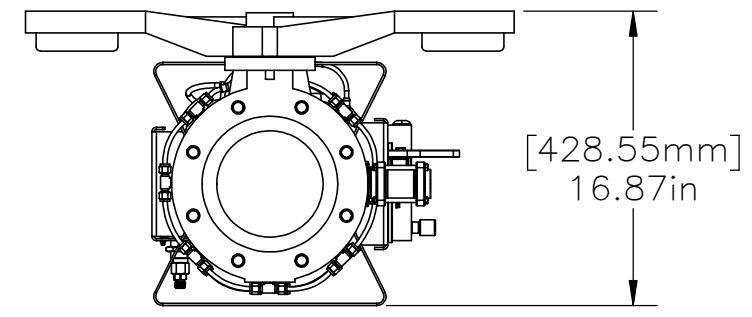
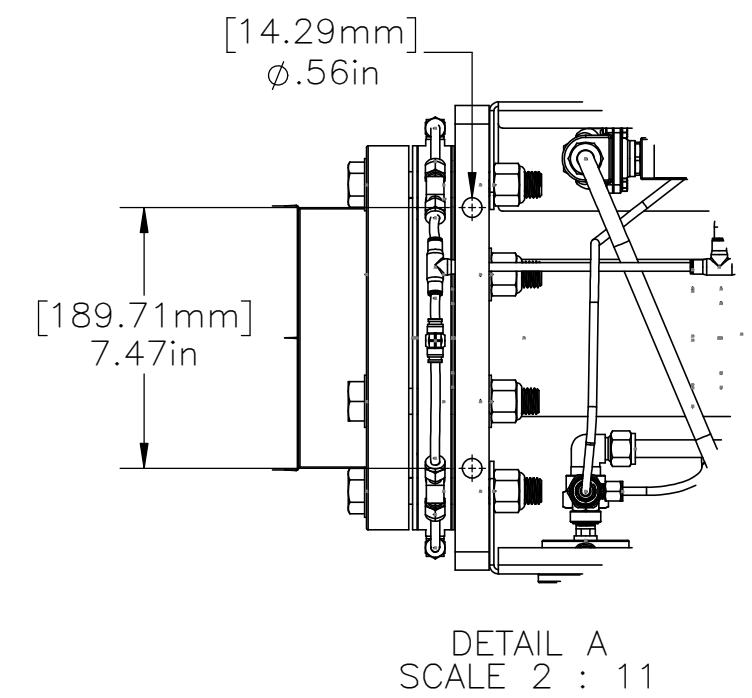
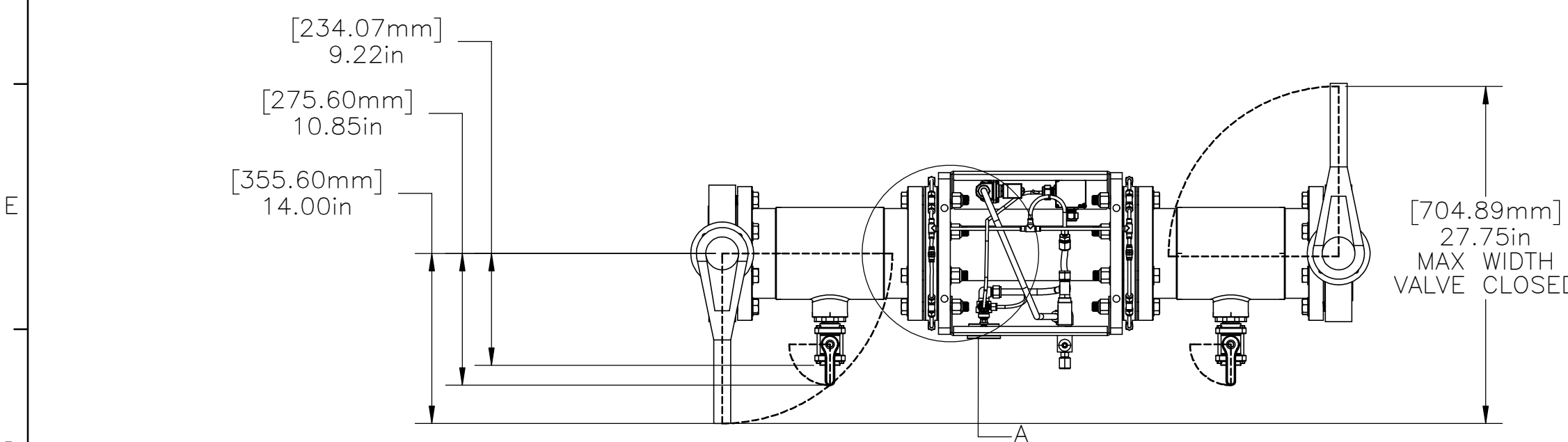
E E

D D

C C

B B

A A



REV	BY	DESCRIPTION	ECO	DATE	CHECKED	APPROVED
A	MC	INITIAL RELEASE	2023	10/10/23	PM	PM

REVISIONS

UNLESS OTHERWISE SPECIFIED: DIMENSIONS IN INCHES TOLERANCES ARE ±0.250	DRAWN BY M.CHA	DATE 10/10/23
	CHECKED BY P.MAHMOUDIAN	DATE 10/10/23
	APPROVED BY P.MAHMOUDIAN	DATE 10/10/23
PROPRIETARY AND CONFIDENTIAL <small>INFORMATION CONTAINED IN THIS DRAWING IS THE SOLE PROPERTY OF "MOLEAER INC". ANY REPRODUCTION IN PART OR WHOLE WITHOUT THE WRITTEN PERMISSION OF "MOLEAER INC" IS PROHIBITED.</small>		

		<small>3232 W. EL SEGUNDO BLVD HAWTHORNE CA, 90250</small>	
DRAWING TITLE:			
TRINITY L2, IMPERIAL, GAD			
DRAWING NO:			
50F0-110(WITH BUTTERFLY VALVE) 50F2-110(WITHOUT BUTTERFLY VALVE)			
	SIZE: B	SCALE: 1:20	SHEET: 2/2
			REV: A

8 7 6 5 4 3 2 1