

MATERIAL LIST	
MAIN COMPONENTS	MATERIALS
PUMP	EPDM, 316 SS/TEFC
FRAME	304SS
CHECK VLAVE	ALUMINUM ANODIZED
GAS TUBING	POLYURETHANE
NANOBUBBLE GENERATOR	PVC
PERISTALTIC PUMP	POLYCARBONATE
SOLENOID VALVE	BRASS
ROTAMETER	ACETAL

NOTES:

- REFER TO PRODUCT SPECIFICATIONS SHEET FOR MORE DETAILS.
- PUMPS FOR THE STANDARD MODELS ARE LOWARA(EU).

DIGITAL PRESSURE SWITCH
PRESET @5PSI

ELECTRICAL BOX
SINGLE PHASE 230V 50HZ
THREE PHASE 400V 50HZ

NANOBUBBLE
GENERATOR

PERISTALTIC PUMP

ROTAMETER

BACKING RING FLANGE:
SCH 80, V- FLANGE, 63MM

AIR COMPRESSOR
30PSI
230V 50HZ

CLEANER

SOLENOID VALVE

OXYGEN GENERATOR
5LPM
230V 50HZ

FRAME

INLET:
LOWARA: DN 50 FLANGE

FLOW

PUMP :
SINGLE PHASE 230V 50HZ
THREE PHASE 400V 50HZ

SAMPLE PORT:
1/2 R MALE

FLOW

HOOD HIDDEN FOR CLARITY

REV.	BY	DESCRIPTION	ECO	DATE	CHECKED	APPROVED
A	SB	ORIGINAL RELEASE	1374	05/22/23	AV	PM
REVISIONS						

UNLESS OTHERWISE SPECIFIED: DIMENSIONS IN mm TOLERANCES ARE ±6.35	DRAWN BY S.BANKAR	DATE 05/22/23
	CHECKED BY A.VALA	DATE 10/26/23
	APPROVED BY P.MAHMOUDIAN	DATE 11/29/23
PROPRIETARY AND CONFIDENTIAL INFORMATION CONTAINED IN THIS DRAWING IS THE SOLE PROPERTY OF "MOLEAER INC". ANY REPRODUCTION IN PART OR WHOLE WITHOUT THE WRITTEN PERMISSION OF "MOLEAER INC" IS PROHIBITED.		

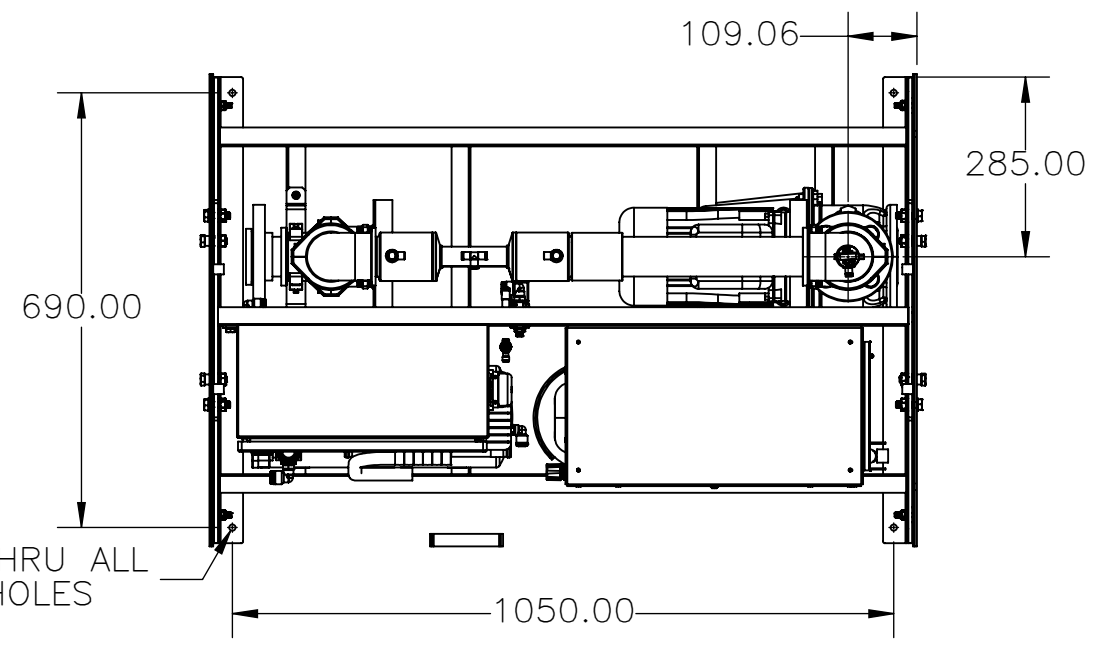
	3232 W. EL SEGUNDO BLVD HAWTHORNE CA, 90250		
	DRAWING TITLE: INDALO-P_METRIC_GAD		
DRAWING NO: 70F0-001, 70F0-003			
	SIZE: B	SCALE: 1:12	SHEET: 1/2
			REV: A

8 7 6 5 4 3 2 1

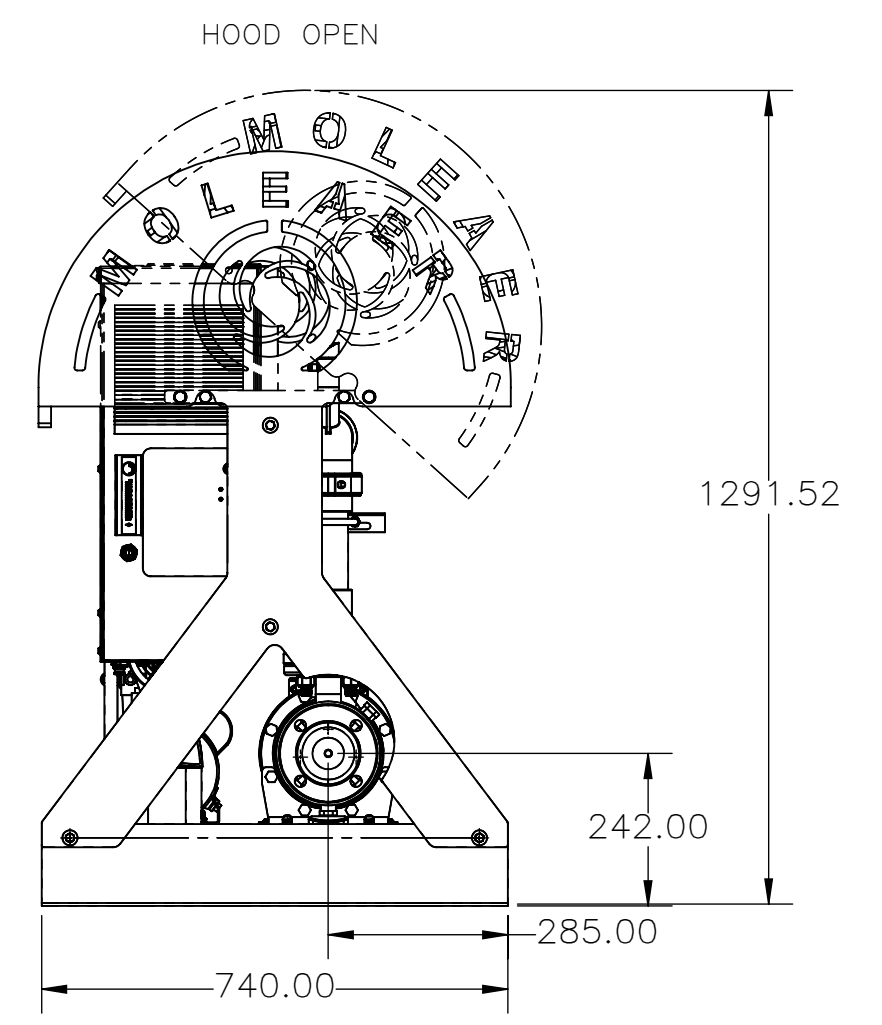
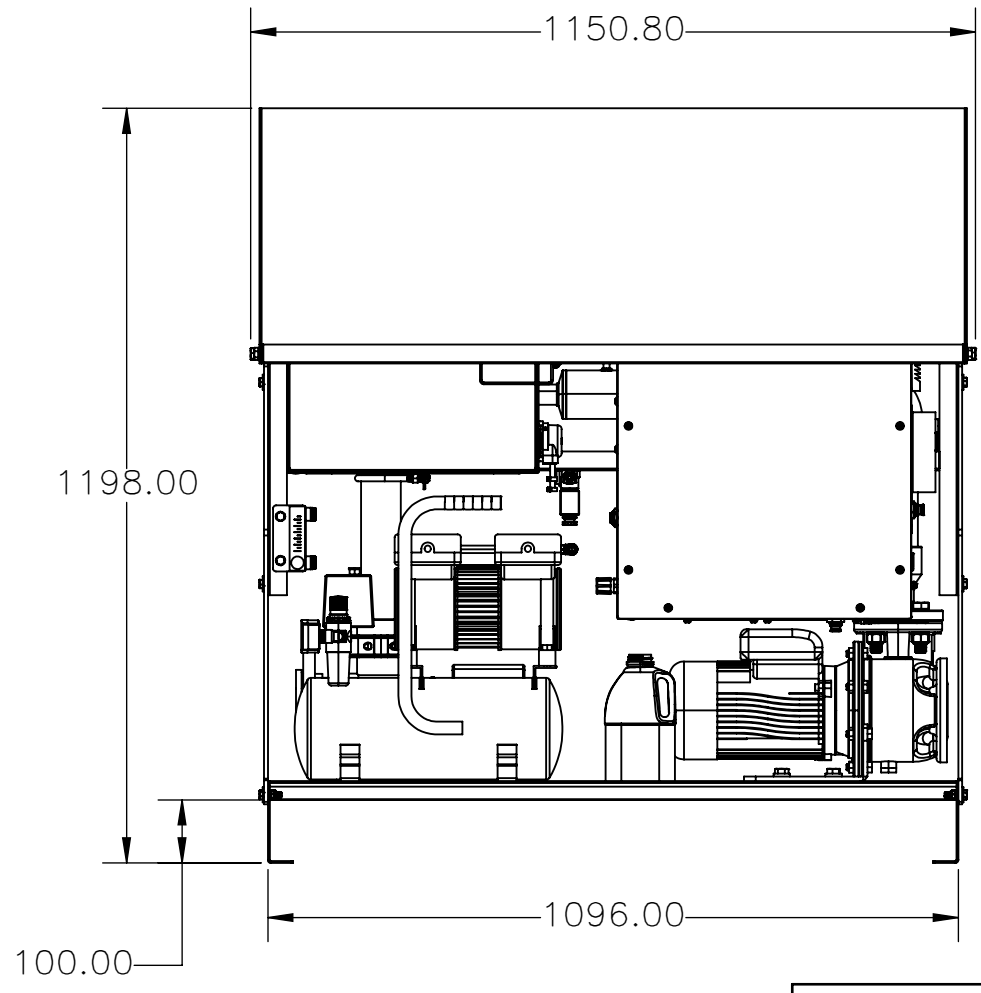
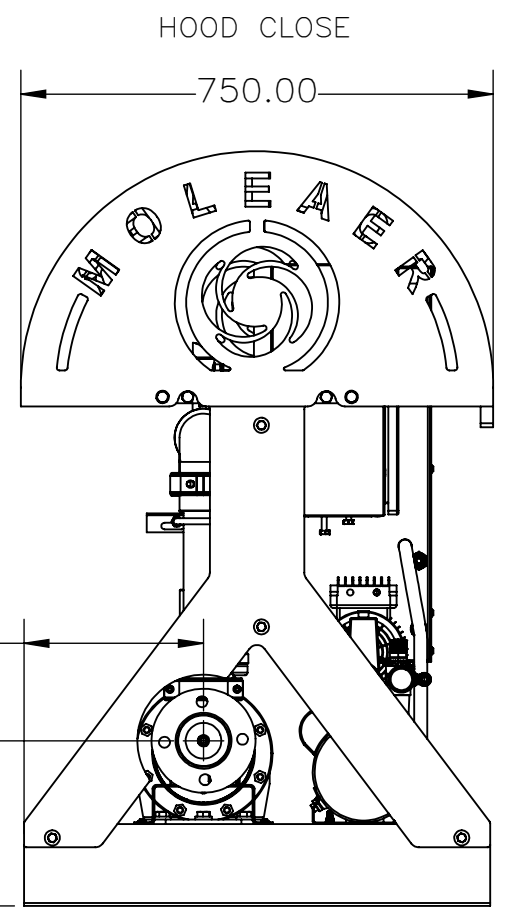
F
E
D
C
B
A


F
E
D
C
B
A

NOTES:
 1. REFER TO PRODUCT SPECIFICATIONS SHEET FOR MORE DETAILS.
 2. PUMPS FOR THE STANDARD MODELS ARE LOWARA(EU).



4 X Ø10.00 THRU ALL MOUNTING HOLES



UNLESS OTHERWISE SPECIFIED: DIMENSIONS IN mm TOLERANCES ARE ±6.35	DRAWN BY S.BANKAR	DATE 05/22/23	 3232 W. EL SEGUNDO BLVD HAWTHORNE CA, 90250 DRAWING TITLE: INDALO-P_METRIC_GAD DRAWING NO: 70F0-001, 70F0-003
	CHECKED BY A.VALA	DATE 10/26/23	
	APPROVED BY P.MAHMOUDIAN	DATE 11/29/23	
PROPRIETARY AND CONFIDENTIAL INFORMATION CONTAINED IN THIS DRAWING IS THE SOLE PROPERTY OF "MOLEAER INC". ANY REPRODUCTION IN PART OR WHOLE WITHOUT THE WRITTEN PERMISSION OF "MOLEAER INC" IS PROHIBITED.			SIZE: B SCALE: 1:12 SHEET: 2/2 REV: A

8 7 6 5 4 3 2 1