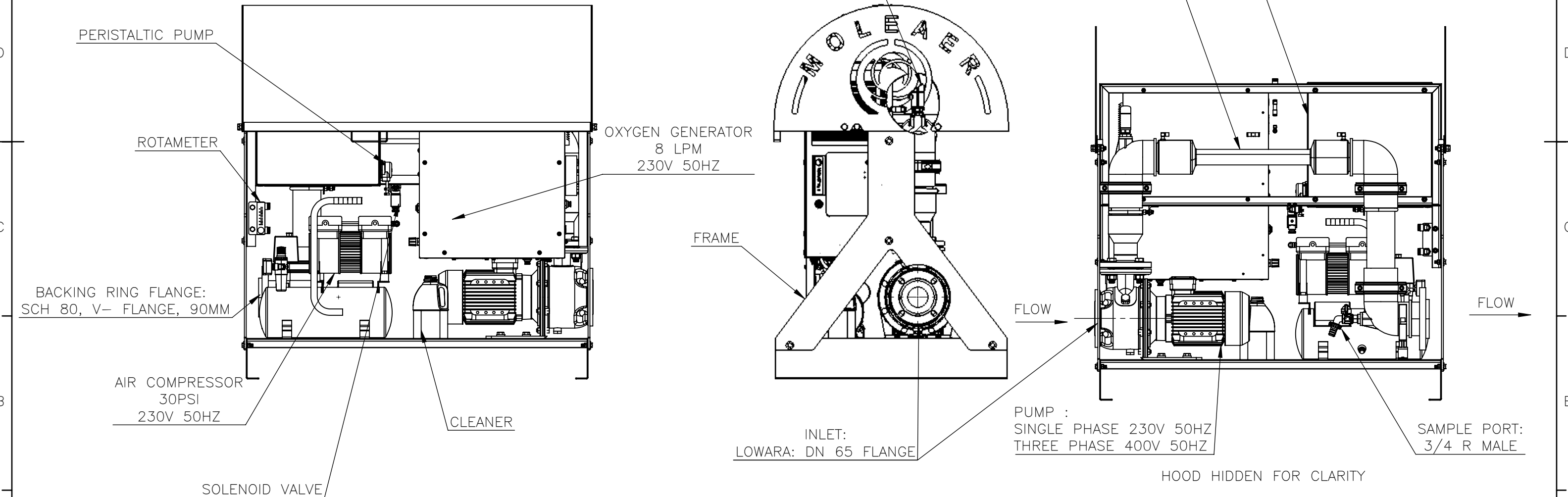


MATERIAL LIST	
MAIN COMPONENTS	MATERIALS
PUMP	EPDM, 316 SS/TEFC
FRAME	SR 235
CHECK VLAVE	ALUMINUM ANODIZED
GAS TUBING	POLYURETHANE
NANOBUBBLE GENERATOR	PVC
PERISTALTIC PUMP	POLYCARBONATE
SOLENOID VALVE	BRASS
ROTAMETER	ACRYLATE

NOTES:
 1. REFER TO PRODUCT SPECIFICATIONS SHEET FOR MORE DETAILS.
 2. PUMPS FOR THE STANDARD MODELS ARE LOWARA(EU).



REV.	BY	DESCRIPTION	ECO	DATE	CHECKED	APPROVED
A	SB	ORIGINAL RELEASE	1374	05/22/23	AV	PM

REVISIONS

UNLESS OTHERWISE SPECIFIED: DIMENSIONS IN mm TOLERANCES ARE ±6.35	DRAWN BY S.BANKAR	DATE 05/22/23
	CHECKED BY A.VALA	DATE 10/26/23
	APPROVED BY P.MAHMOUDIAN	DATE 11/29/23
PROPRIETARY AND CONFIDENTIAL INFORMATION CONTAINED IN THIS DRAWING IS THE SOLE PROPERTY OF "MOLEAER INC". ANY REPRODUCTION IN PART OR WHOLE WITHOUT THE WRITTEN PERMISSION OF "MOLEAER INC" IS PROHIBITED.		

3232 W. EL SEGUNDO BLVD
 HAWTHORNE CA, 90250

DRAWING TITLE: GAD, INDALO-G, METRIC

DRAWING NO: 70F0-002, 70F0-004

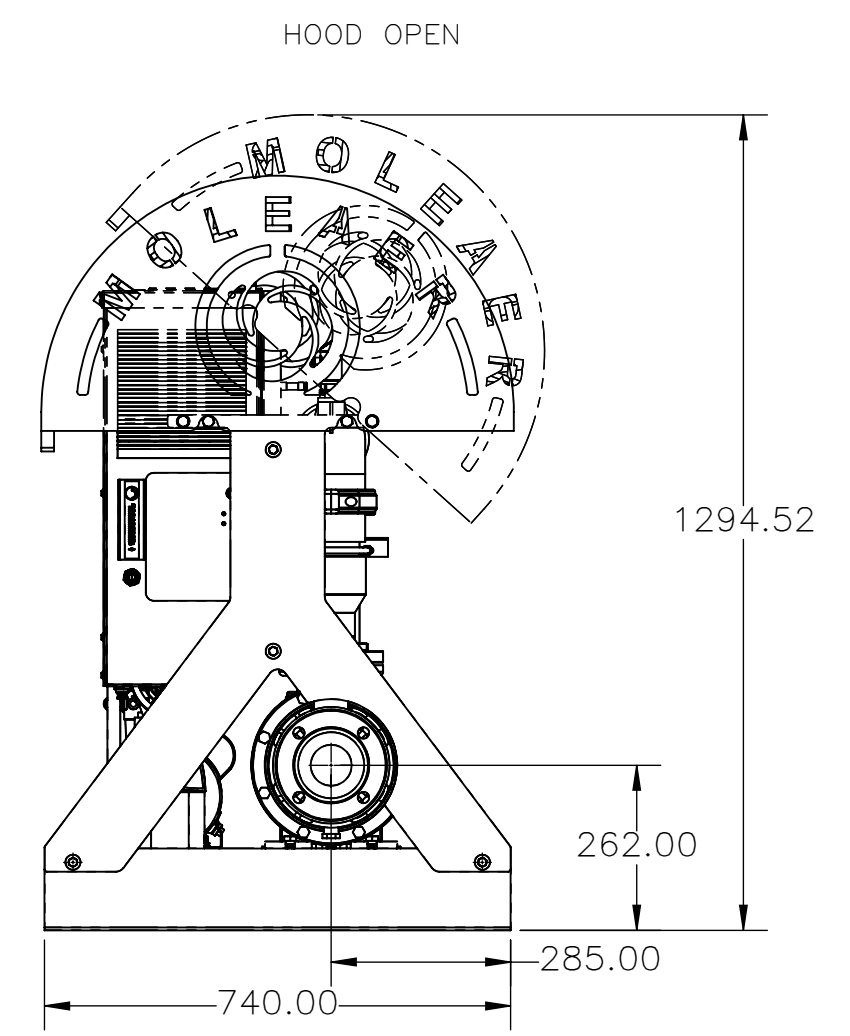
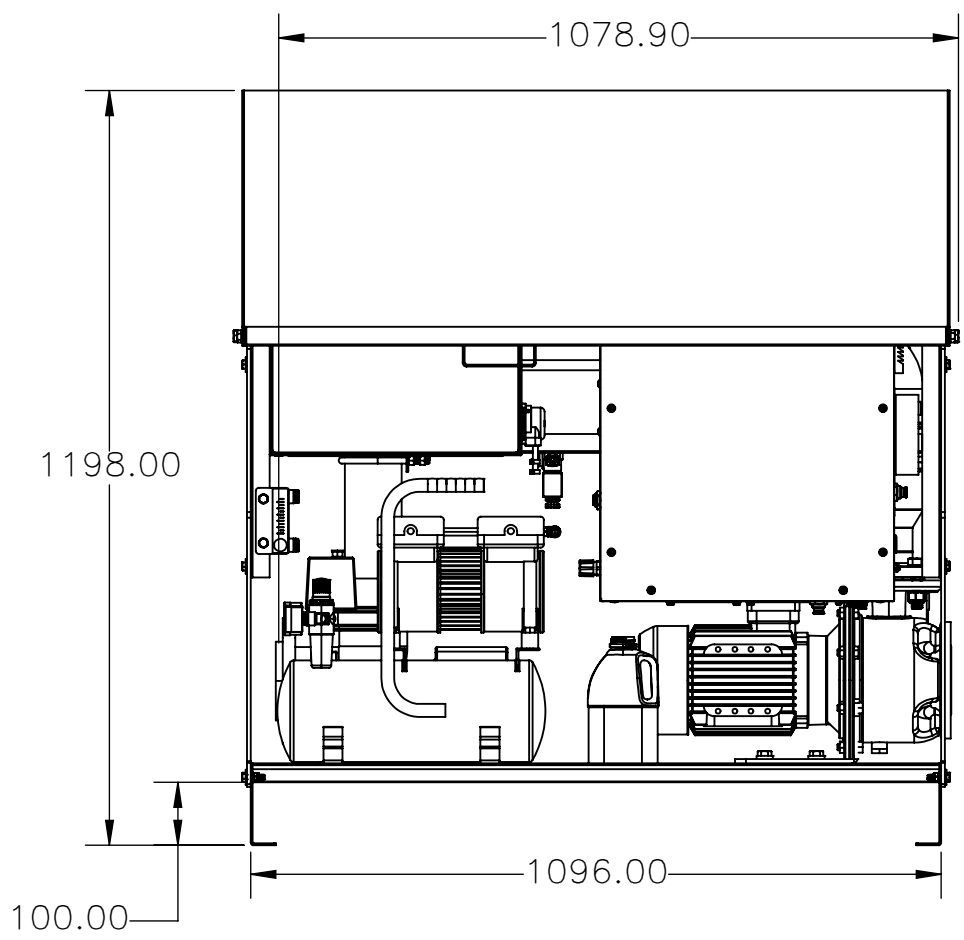
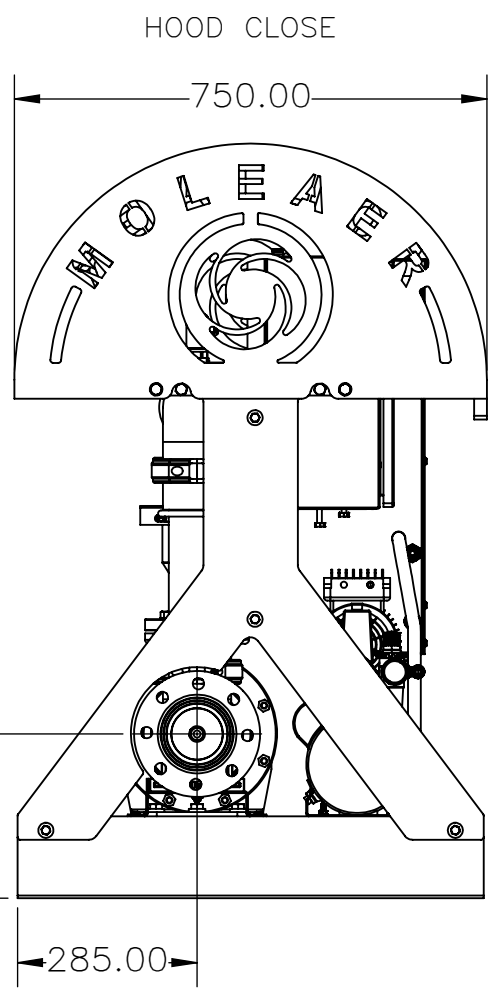
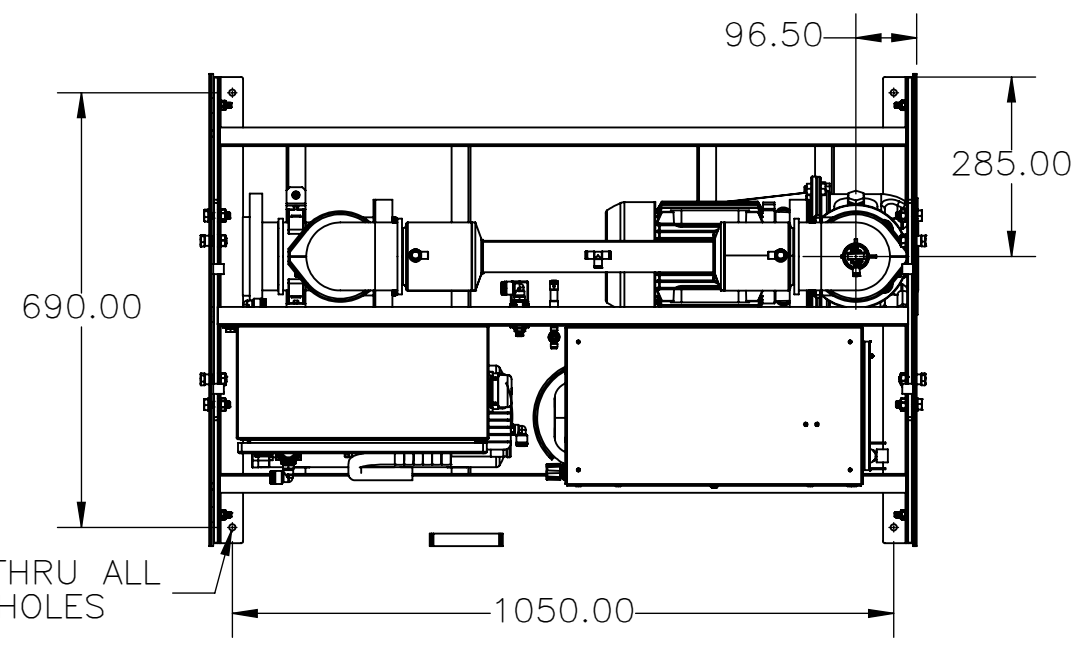
SIZE: B SCALE: 1:12 SHEET: 1/2 REV: A


8 7 6 5 4 3 2 1

F
E
D
C
B
A

F
E
D
C
B
A

NOTES:
 1. REFER TO PRODUCT SPECIFICATIONS SHEET FOR MORE DETAILS.
 2. PUMPS FOR THE STANDARD MODELS ARE LOWARA(EU).



UNLESS OTHERWISE SPECIFIED: DIMENSIONS IN mm TOLERANCES ARE ±6.35	DRAWN BY S.BANKAR	DATE 05/22/23	 3232 W. EL SEGUNDO BLVD HAWTHORNE CA, 90250 DRAWING TITLE: GAD, INDALO-G, METRIC DRAWING NO: 70F0-002, 70F0-004
	CHECKED BY A.VALA	DATE 10/26/23	
	APPROVED BY P.MAHMOUDIAN	DATE 11/29/23	
PROPRIETARY AND CONFIDENTIAL INFORMATION CONTAINED IN THIS DRAWING IS THE SOLE PROPERTY OF "MOLEAER INC". ANY REPRODUCTION IN PART OR WHOLE WITHOUT THE WRITTEN PERMISSION OF "MOLEAER INC" IS PROHIBITED.			SIZE: B SCALE: 1:12 SHEET: 2/2 REV: A

8 7 6 5 4 3 2 1