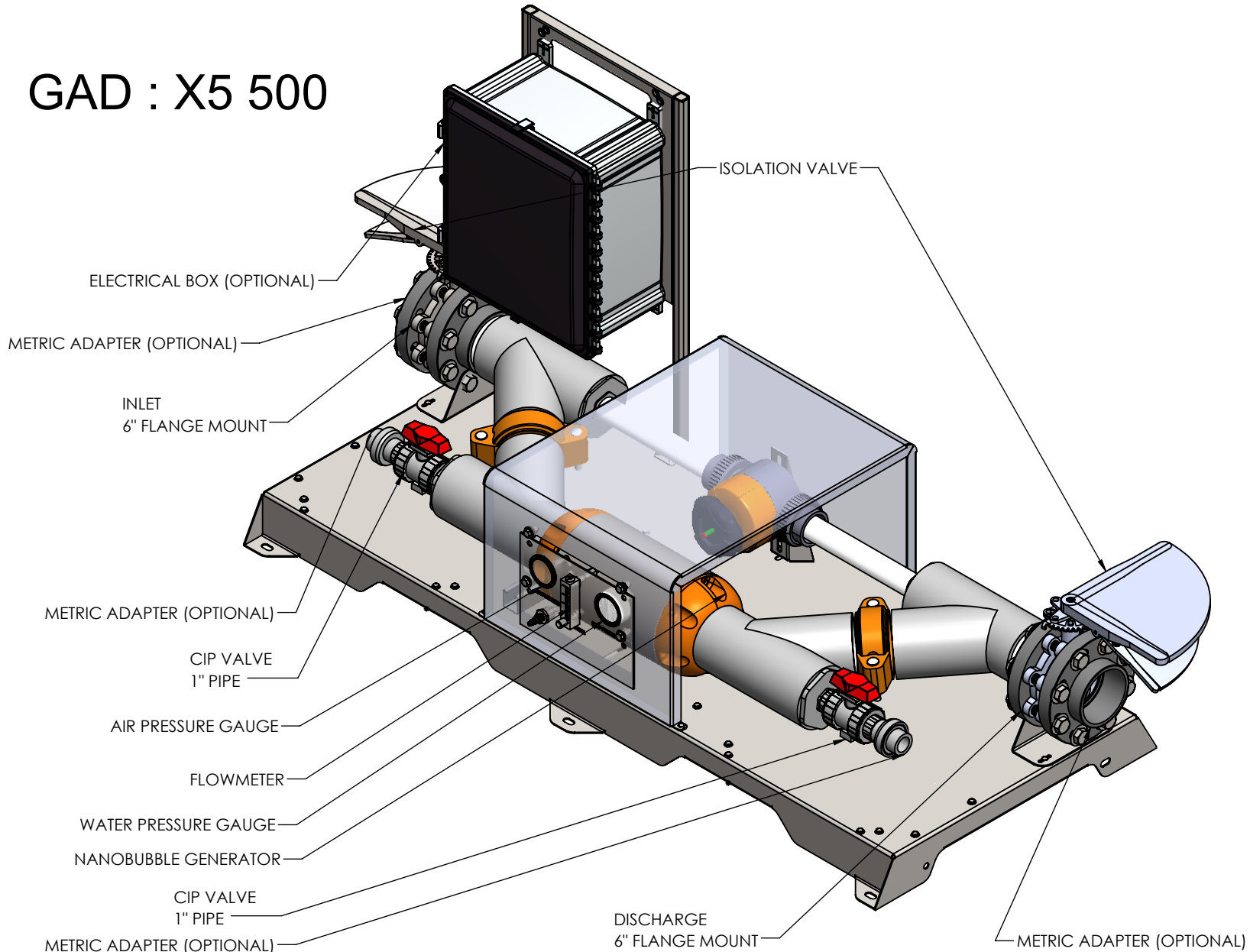


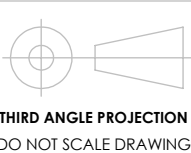
# GAD : X5 500



**PROPRIETARY AND CONFIDENTIAL**  
 THE INFORMATION CONTAINED IN THIS DRAWING IS THE SOLE PROPERTY OF **MOLEAER INC.** ANY REPRODUCTION IN PART OR AS A WHOLE WITHOUT THE WRITTEN PERMISSION OF **MOLEAER INC** IS PROHIBITED.

	NAME	DATE
DRAWN	P.SHINDE	
CHECKED		
ENG APPR.		
MFG APPR.		

UNLESS OTHERWISE SPECIFIED:  
 DIMENSIONS ARE IN INCHES  
 TOLERANCES:  
 ANGULAR:  $\pm 0.5^\circ$  BEND  $\pm 0.5^\circ$   
 ONE PLACE DECIMAL  $\pm 0.05$   
 TWO PLACE DECIMAL  $\pm 0.01$   
 THREE PLACE DECIMAL  $\pm 0.001$



TITLE:  
**X5 500 GAD**



SIZE <b>A</b>	DWG. NO.	REV <b>A</b>
SCALE: 1:20		SHEET 1 OF 2

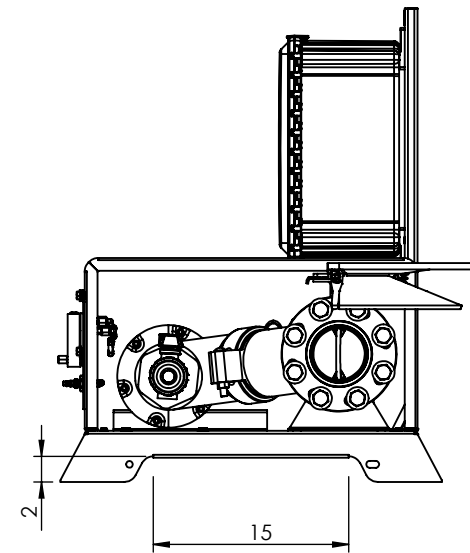
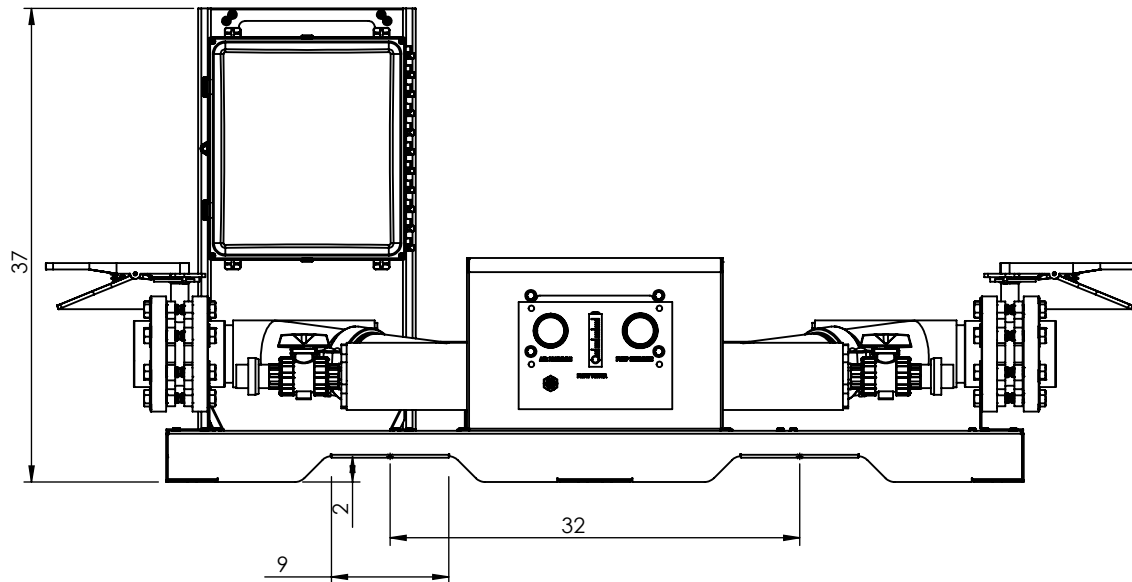
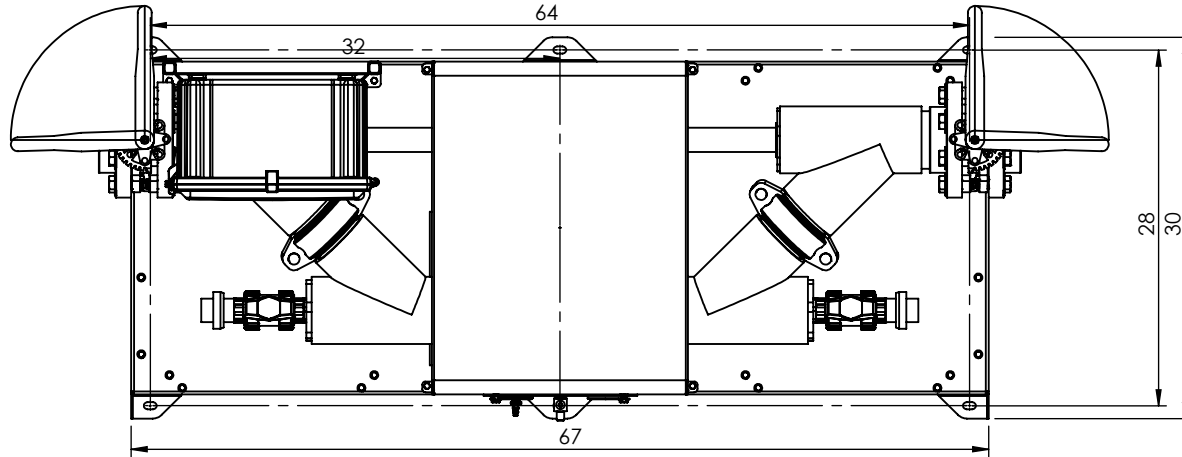
4

3

2

1

# DIMENSIONS : X5 500



D

D

C

C

B

B

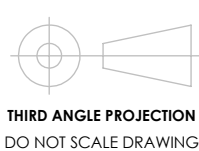
A

A

**PROPRIETARY AND CONFIDENTIAL**  
 THE INFORMATION CONTAINED IN THIS DRAWING IS THE SOLE PROPERTY OF **MOLEAER INC.** ANY REPRODUCTION IN PART OR AS A WHOLE WITHOUT THE WRITTEN PERMISSION OF **MOLEAER INC** IS PROHIBITED.

	NAME	DATE
DRAWN	P.SHINDE	
CHECKED		
ENG APPR.		
MFG APPR.		

UNLESS OTHERWISE SPECIFIED:  
 DIMENSIONS ARE IN INCHES  
 TOLERANCES:  
 ANGULAR:  $\pm 0.5^\circ$  BEND  $\pm 0.5^\circ$   
 ONE PLACE DECIMAL  $\pm 0.05$   
 TWO PLACE DECIMAL  $\pm 0.01$   
 THREE PLACE DECIMAL  $\pm 0.001$



TITLE:  
**X5 500 GAD**



SIZE <b>A</b>	DWG. NO.	REV <b>A</b>
SCALE: 1:20		SHEET 2 OF 2

4

3

2

1