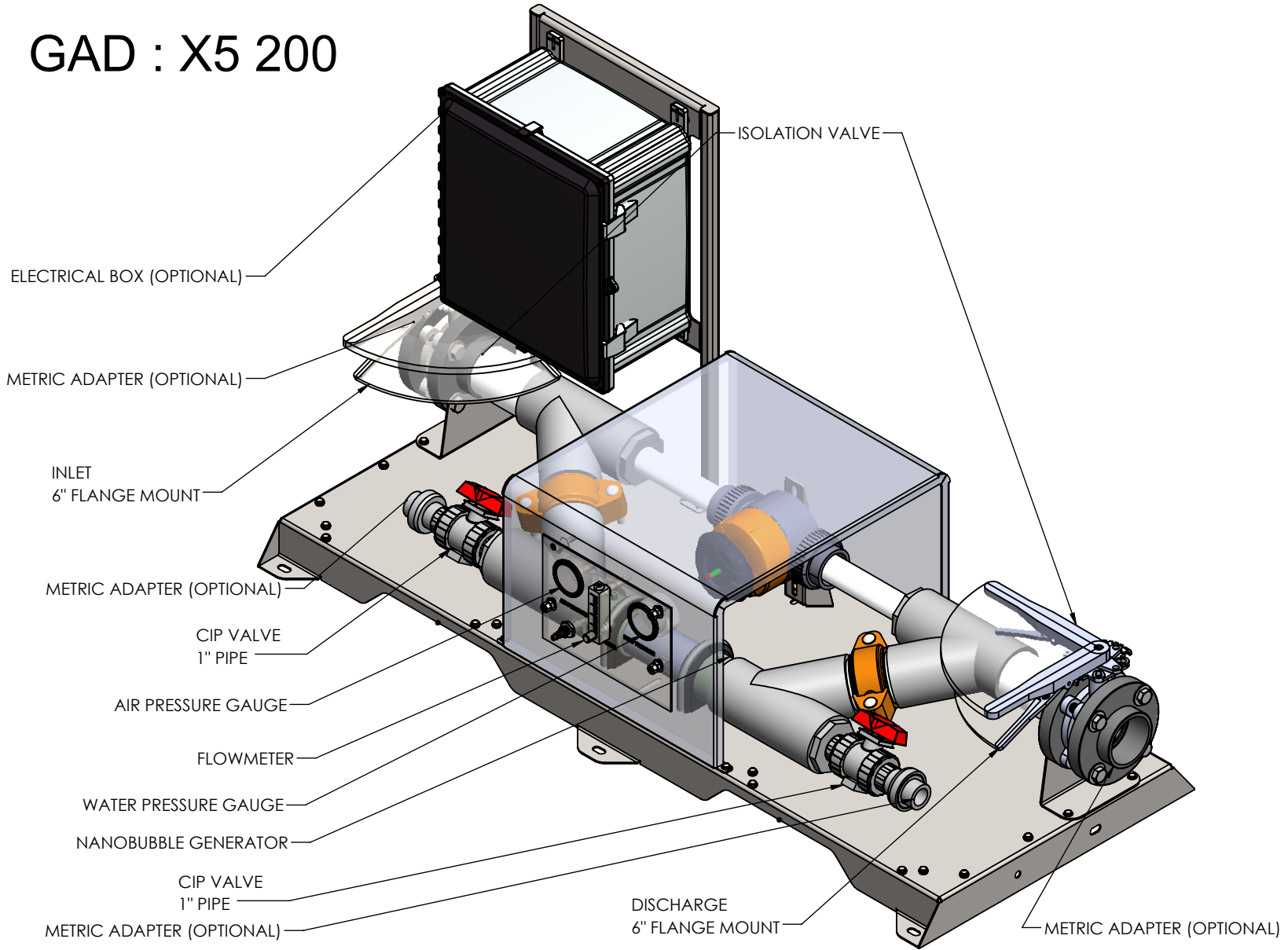


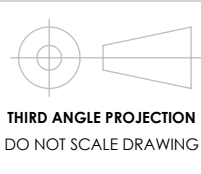
GAD : X5 200



PROPRIETARY AND CONFIDENTIAL
 THE INFORMATION CONTAINED IN THIS DRAWING IS THE SOLE PROPERTY OF **MOLEAER INC.** ANY REPRODUCTION IN PART OR AS A WHOLE WITHOUT THE WRITTEN PERMISSION OF **MOLEAER INC** IS PROHIBITED.

	NAME	DATE
DRAWN	P.SHINDE	
CHECKED		
ENG APPR.		
MFG APPR.		

UNLESS OTHERWISE SPECIFIED:
 DIMENSIONS ARE IN INCHES
 TOLERANCES:
 ANGULAR: $\pm 0.5^\circ$ BEND $\pm 0.5^\circ$
 ONE PLACE DECIMAL ± 0.05
 TWO PLACE DECIMAL ± 0.01
 THREE PLACE DECIMAL ± 0.001



TITLE:
XTB GEN5 GAD



SIZE A	DWG. NO.	REV A
SCALE: 1:20		SHEET 1 OF 2

4

3

2

1

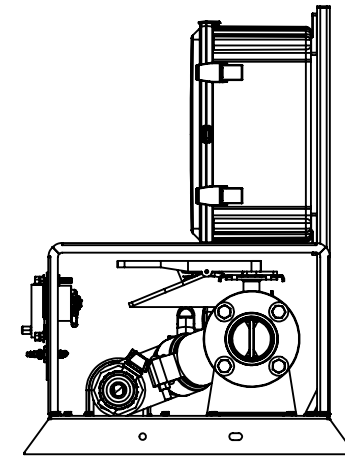
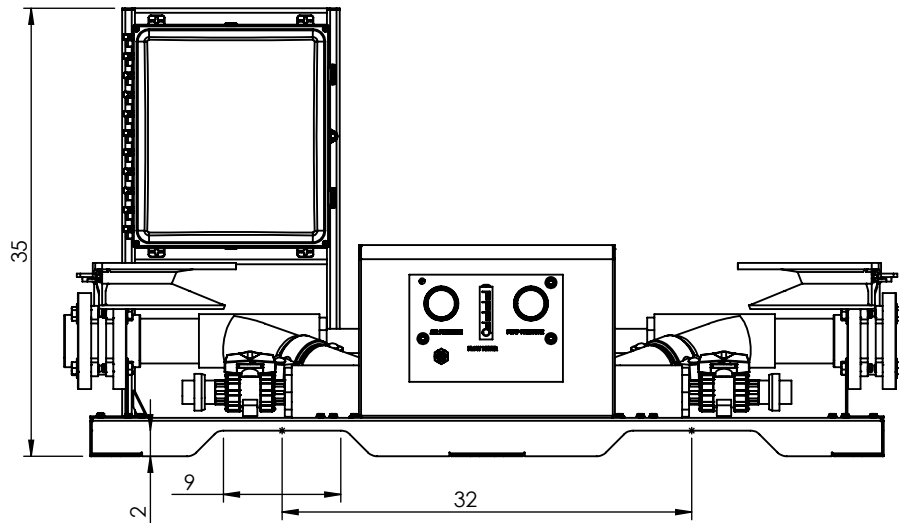
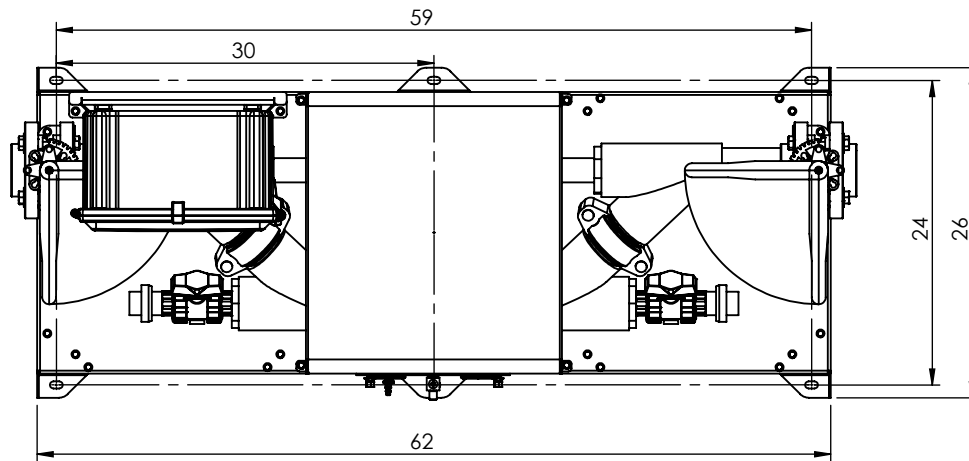
4

3

2

1

DIMENSIONS : X5 200



PROPRIETARY AND CONFIDENTIAL
THE INFORMATION CONTAINED IN THIS DRAWING IS THE SOLE PROPERTY OF **MOLEAER INC.** ANY REPRODUCTION IN PART OR AS A WHOLE WITHOUT THE WRITTEN PERMISSION OF **MOLEAER INC** IS PROHIBITED.

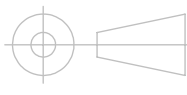
DRAWN	P.SHINDE
CHECKED	
ENG APPR.	
MFG APPR.	

NAME

DATE

UNLESS OTHERWISE SPECIFIED:

DIMENSIONS ARE IN INCHES
TOLERANCES:
ANGULAR: $\pm 0.5^\circ$ BEND $\pm 0.5^\circ$
ONE PLACE DECIMAL ± 0.05
TWO PLACE DECIMAL ± 0.01
THREE PLACE DECIMAL ± 0.001



THIRD ANGLE PROJECTION
DO NOT SCALE DRAWING

TITLE:

XTB GEN5 GAD

MOLEAER
BEYOND AERATION

SIZE DWG. NO.

A

REV

A

SCALE: 1:20

SHEET 2 OF 2

4

3

2

1