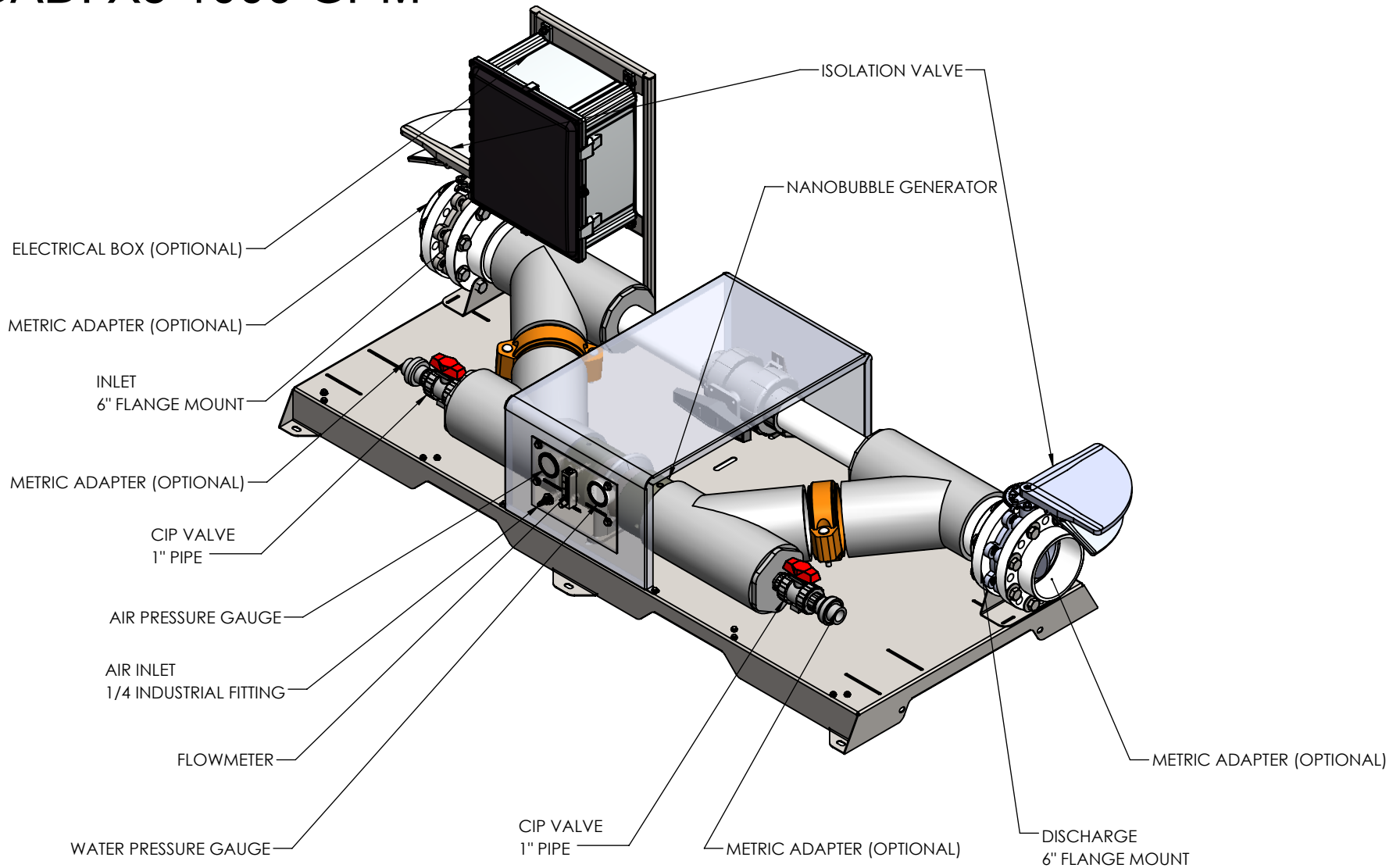
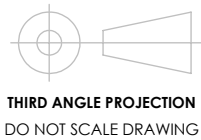


GAD: X5 1000 GPM



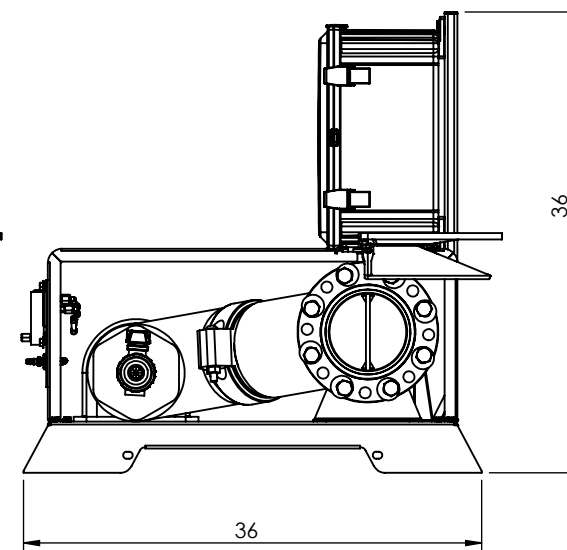
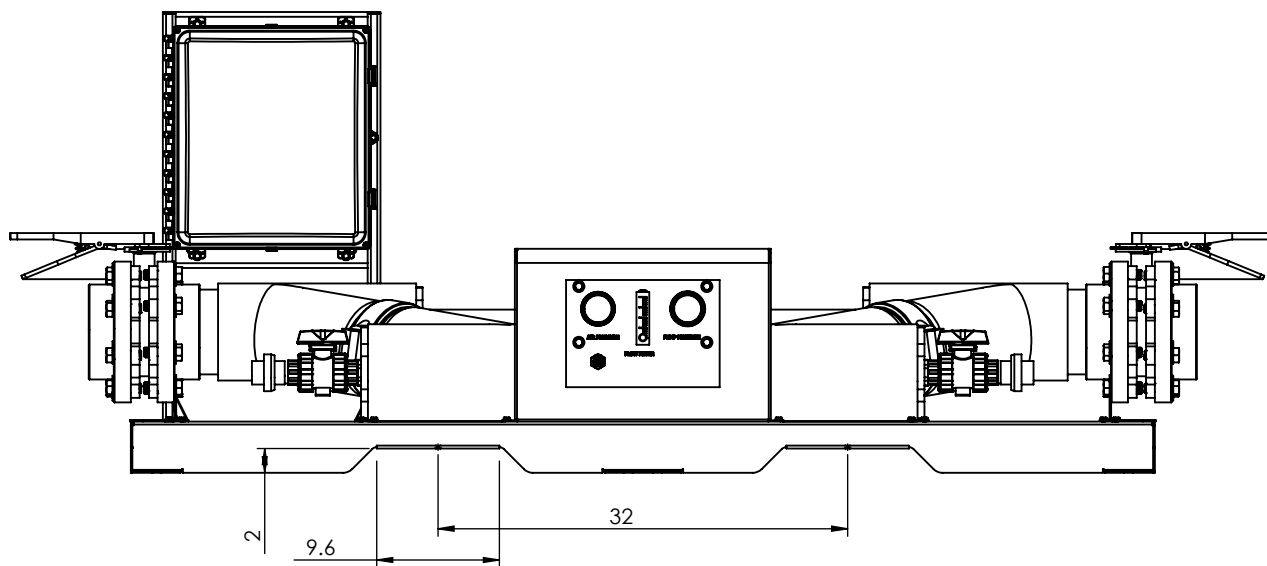
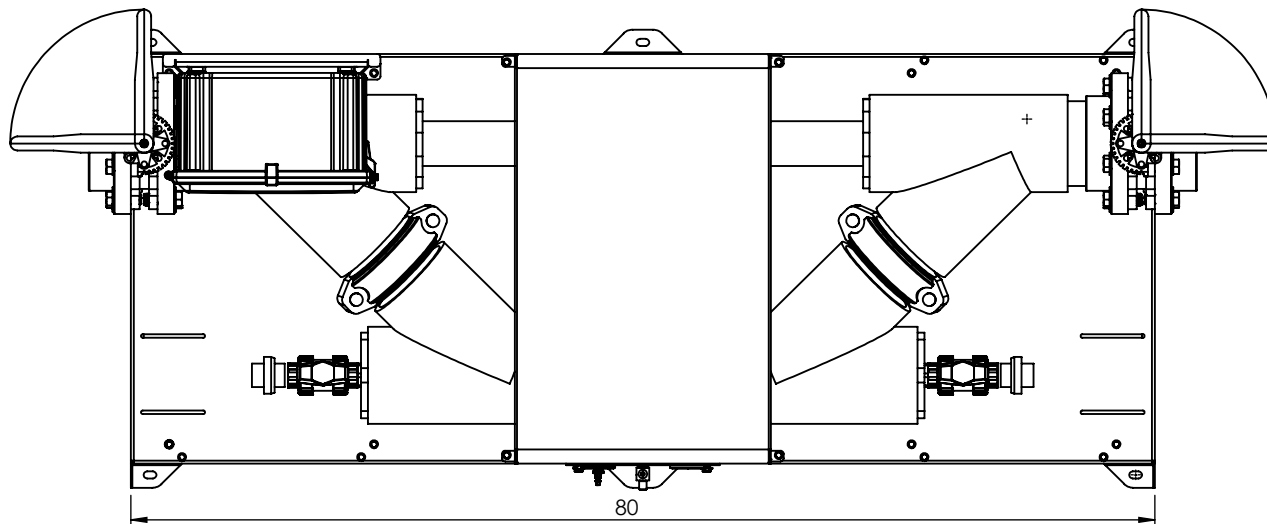
PROPRIETARY AND CONFIDENTIAL THE INFORMATION CONTAINED IN THIS DRAWING IS THE SOLE PROPERTY OF MOLEAER INC. ANY REPRODUCTION IN PART OR AS A WHOLE WITHOUT THE WRITTEN PERMISSION OF MOLEAER INC IS PROHIBITED.		NAME	DATE	UNLESS OTHERWISE SPECIFIED:
	DRAWN	P.SHINDE	01/27/20	DIMENSIONS ARE IN INCHES
	CHECKED			TOLERANCES:
	ENG APPR.			ANGULAR: $\pm 0.5^\circ$ BEND $\pm 0.5^\circ$
	MFG APPR.			ONE PLACE DECIMAL ± 0.05
				TWO PLACE DECIMAL ± 0.01
				THREE PLACE DECIMAL ± 0.001



TITLE:
XTB GEN5 GAD

MOLEAER BEYOND AERATION		REV
SIZE	DWG. NO.	A
A		A
SCALE: 1:20	SHEET 1 OF 2	

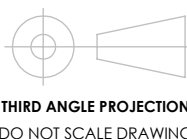
OVER ALL DIMENSIONS -X5 1000 gpm



PROPRIETARY AND CONFIDENTIAL
 THE INFORMATION CONTAINED IN THIS DRAWING IS THE SOLE PROPERTY OF **MOLEAER INC.** ANY REPRODUCTION IN PART OR AS A WHOLE WITHOUT THE WRITTEN PERMISSION OF **MOLEAER INC** IS PROHIBITED.

	NAME	DATE
DRAWN	P.SHINDE	01/27/20
CHECKED		
ENG APPR.		
MFG APPR.		

UNLESS OTHERWISE SPECIFIED:
 DIMENSIONS ARE IN INCHES
 TOLERANCES:
 ANGULAR: $\pm 0.5^\circ$ BEND $\pm 0.5^\circ$
 ONE PLACE DECIMAL ± 0.05
 TWO PLACE DECIMAL ± 0.01
 THREE PLACE DECIMAL ± 0.001



TITLE:
X5 1000 DIMENSIONS



SIZE	DWG. NO.	REV
A		A
SCALE: 1:20		SHEET 2 OF 2