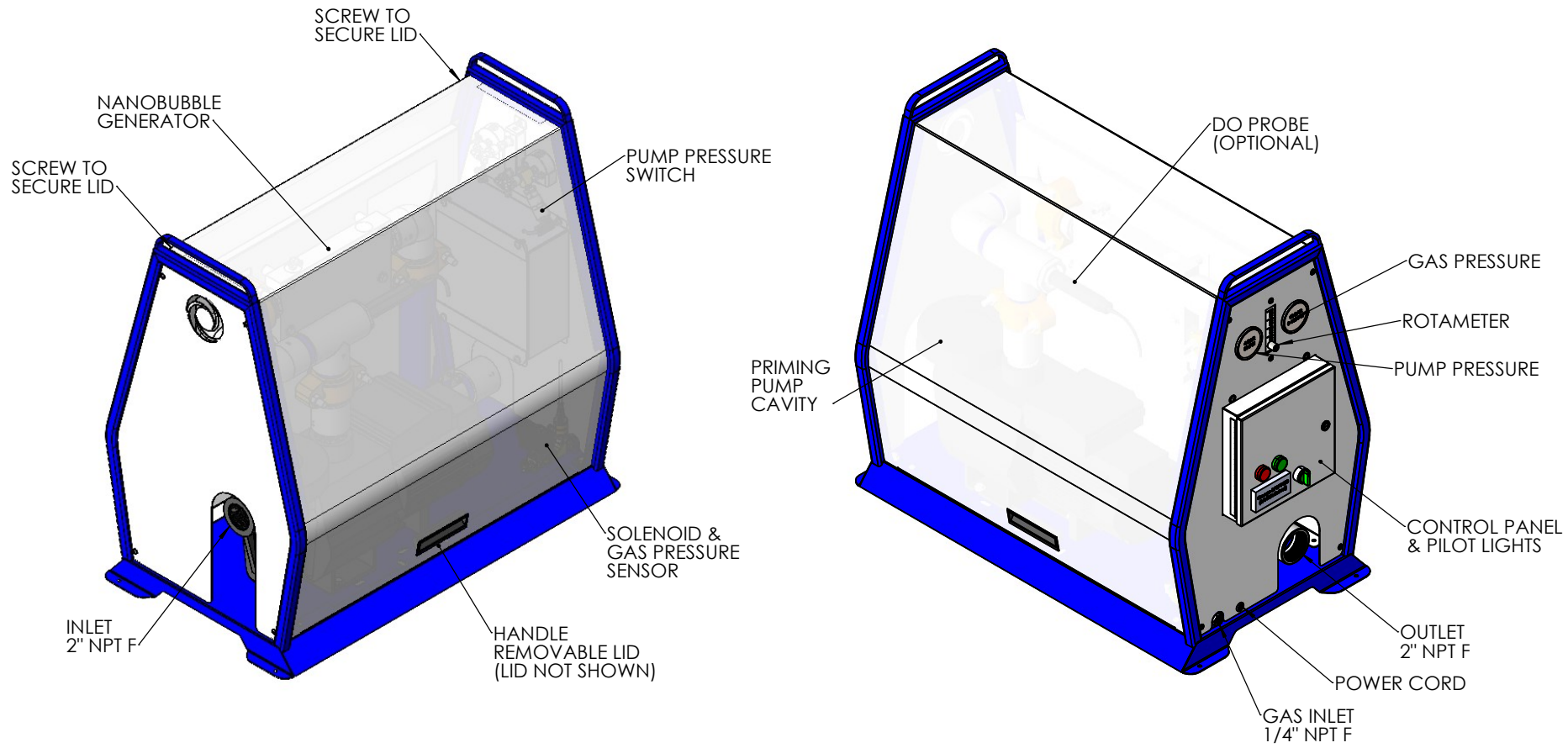


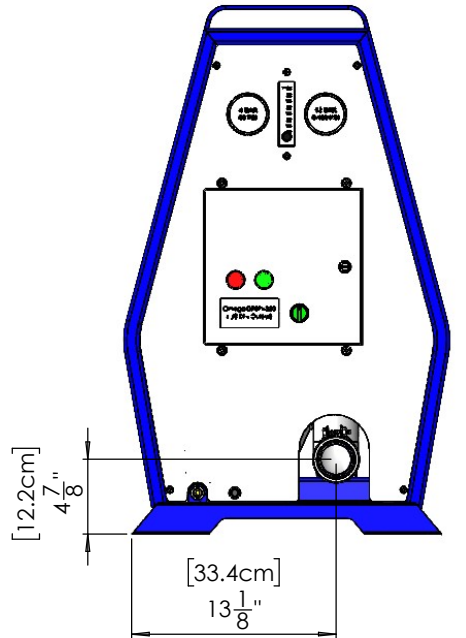
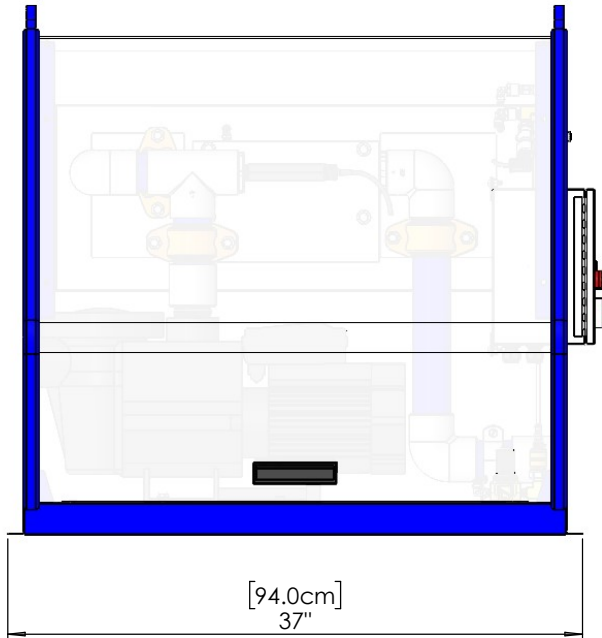
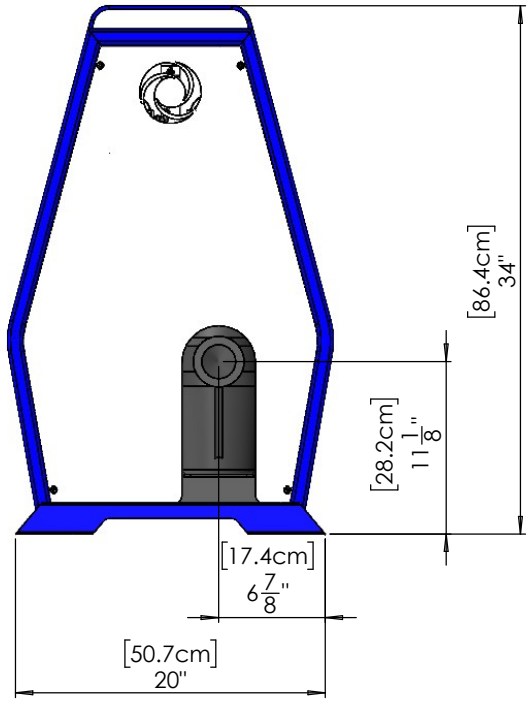
**25 BLOOM 1.5 - GAD**



REV.	BY	DESCRIPTION	ECO	DATE	CHECKED	APPROVED
A	DN	ORIGINAL RELEASE	1156	10.26.20	PM	PM
REVISIONS						
<b>PROPRIETARY AND CONFIDENTIAL:</b>						
INFORMATION CONTAINED IN THIS DRAWING IS THE SOLE PROPERTY OF "MOLEAER INC". ANY REPRODUCTION IN PART OR WHOLE WITHOUT THE WRITTEN PERMISSION OF "MOLEAER INC" IS PROHIBITED.						

DRAWN BY D.NAKAMOTO	DATE 10.28.2020	<b>MOLEAER</b> <small>MOLEAER INC</small>	20800 BELSHAW AVENUE CARSON CA, 90746
CHECKED BY PM	DATE 11.6.2020		
APPROVED BY PM	DATE 11.6.2020	DRAWING TITLE: <b>25 BLOOM 1.5 - GAD</b>	
DIMENSIONS IN INCHES. ALL DIMENSIONS ARE ±.250 UNLESS OTHERWISE SPECIFIED		DRAWING NO: <b>01F0-0XX</b>	
		SIZE: B	SCALE: 1:12
		SHEET: 1/4	REV: A

**25 BLOOM 1.5 - DIMENSIONS**



REV.	BY	DESCRIPTION	ECO	DATE	CHECKED	APPROVED
A	DN	ORIGINAL RELEASE	1156	10.26.20	PM	PM
REVISIONS						
<b>PROPRIETARY AND CONFIDENTIAL:</b>						
INFORMATION CONTAINED IN THIS DRAWING IS THE SOLE PROPERTY OF "MOLEAER INC". ANY REPRODUCTION IN PART OR WHOLE WITHOUT THE WRITTEN PERMISSION OF "MOLEAER INC" IS PROHIBITED.						

DRAWN BY D.NAKAMOTO	DATE 10.28.2020	<b>MOLEAER</b> <small>MOLEAER INC. 20800 BELSHAW AVENUE CARSON CA, 90746</small>
CHECKED BY PM	DATE 11.6.2020	
APPROVED BY PM	DATE 11.6.2020	DRAWING TITLE: <b>25 BLOOM 1.5 – GAD</b>
DIMENSIONS IN INCHES. ALL DIMENSIONS ARE ±.250 UNLESS OTHERWISE SPECIFIED		DRAWING NO: <b>01F0-0XX</b>
		SIZE: B SCALE: 1:12 SHEET: 2/4 REV: A